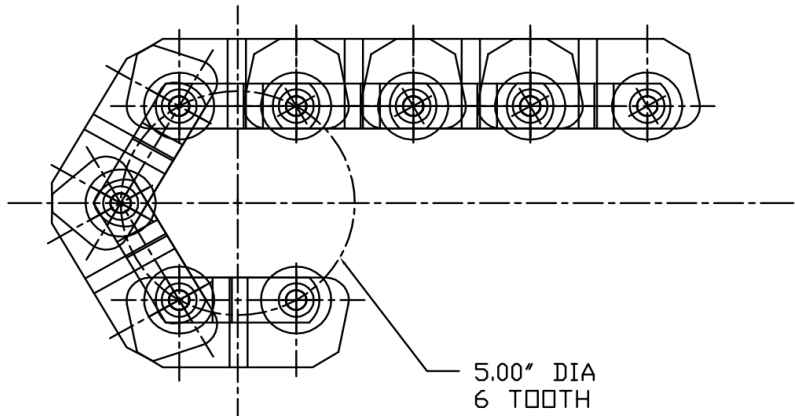
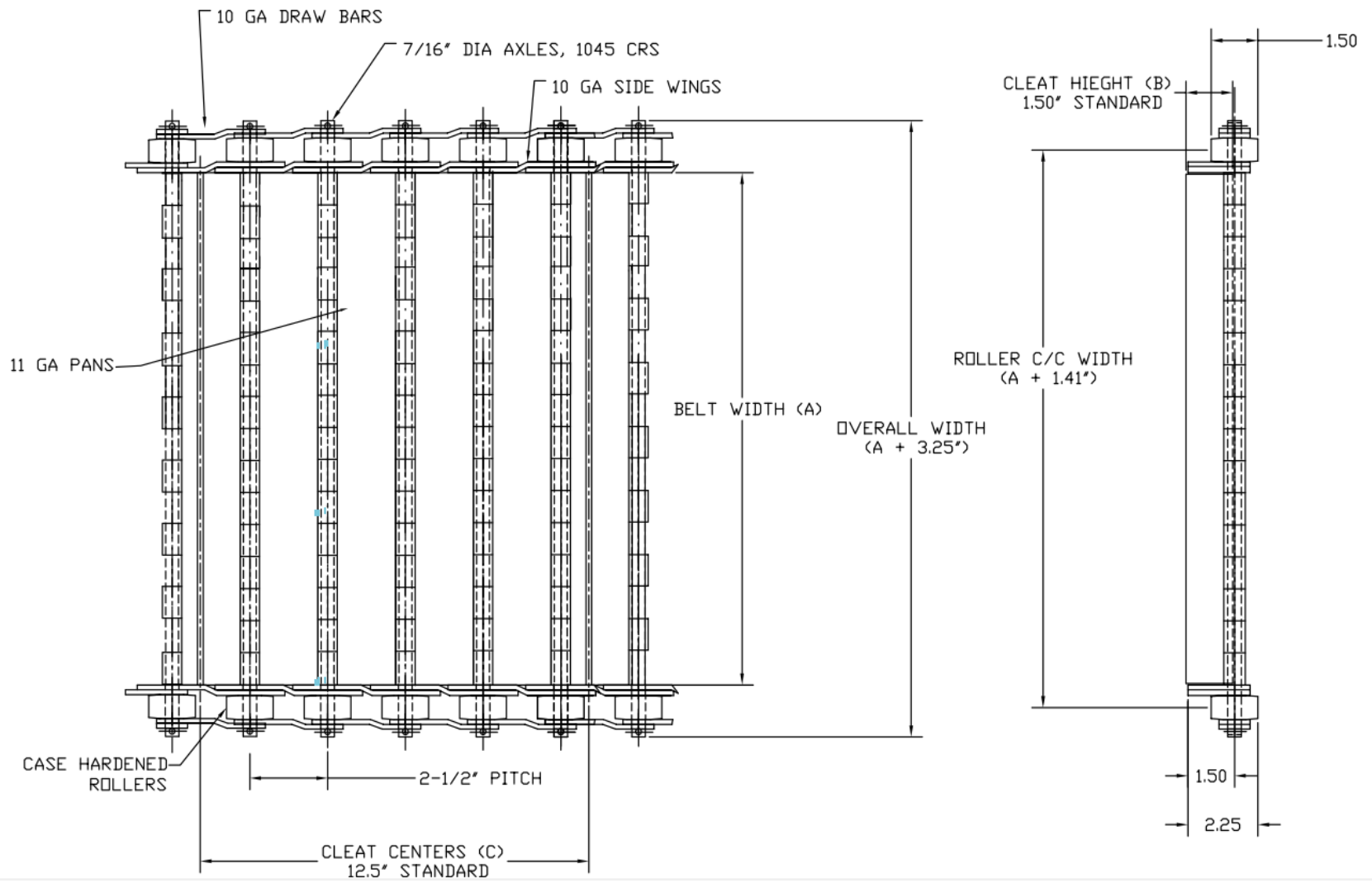


2.5 STANDARD CHAIN TEMPLATE



<p>NOTICE: THIS DRAWING IS THE PROPERTY OF THE UNIKING CANADA COMPANY AND MAY NOT BE COPIED OR REPRODUCED IN ANY FORM, OR USED FOR MANUFACTURING PURPOSES OF ANY KIND WITHOUT THE EXPRESSED WRITTEN CONSENT OF THE UNIKING CANADA COMPANY.</p> <p>ALL DIMENSIONS ARE INCHES UNLESS OTHERWISE SPECIFIED</p>	CUSTOMER INFORMATION													
	P.O. #													
	W.O.#	QUOTE#												
<p>TOLERANCE UNLESS OTHERWISE SPECIFIED</p> <table border="0"> <tr> <td>DECIMAL .X</td> <td>±.03</td> <td>FRACTIONAL ± 1/16</td> </tr> <tr> <td>.XX</td> <td>±.015</td> <td></td> </tr> <tr> <td>.XXX</td> <td>±.005</td> <td>ANGULAR ± 1/2°</td> </tr> <tr> <td>.XXXX</td> <td>±.0005</td> <td></td> </tr> </table>			DECIMAL .X	±.03	FRACTIONAL ± 1/16	.XX	±.015		.XXX	±.005	ANGULAR ± 1/2°	.XXXX	±.0005	
DECIMAL .X	±.03	FRACTIONAL ± 1/16												
.XX	±.015													
.XXX	±.005	ANGULAR ± 1/2°												
.XXXX	±.0005													
TITLE	REV	SCALE												
2.5 STANDARD CHAIN TEMPLATE	0	N.T.S.												
DATE	DRAWING													
DRAWN BY	MP													

- PAN STYLE**
- PLAIN PANS
 - PERFORATED PANS
 - DIMPLED PANS
 - DIMPLED+PERF
 - DOUBLE DRAW BARS
 - WELDED BARRELS
 - WELDED SIDE WINGS

DIM (A) ---
 DIM (B) ---
 DIM (C) ---

- SERRATED CLEATS QTY ___
- WIPER CLEATS QTY ___

TOTAL FEET REQUIRED ---

- CUSTOM OVERALL WIDTH DIM ___
 (STANDARD IS "A" = 3.25")

NOTES:

1. THIS DRAWING IS INTENDED SOLELY FOR LAYOUT PURPOSES. IT IS THE RESPONSIBILITY OF THE CUSTOMER TO RELAY ANY IMPORTANT INFORMATION REGARDING ANY AND ALL DESIGN FEATURES OF DESIRED BELT.

