

FLIGHT DETAIL SHEET

Client _____ Date _____
 By _____ Ref _____
 Phone _____ Fax _____
 Address _____
 Flight Every _____ Link. (Specify)

Flight Descriptive Detail

B Style

W _____ P _____
 Bar Size _____ Steel Type _____
 Flight Perpendicular to Chain? _____
 Carry Back Cups _____ Size _____
 Configuration _____

T Style

W _____ P _____
 Bar Size _____ Steel Type _____
 Flight Perpendicular to Chain? _____
 Carry Back Cups _____ Size _____
 Configuration _____
 Notch Details _____ Hole Details _____

U Style

W _____ P _____
 H _____ Bar Size _____
 Steel Type _____ Mang. Tipp. _____
 Plate Blanking? _____
 Provide Details of Blanking and Tipping

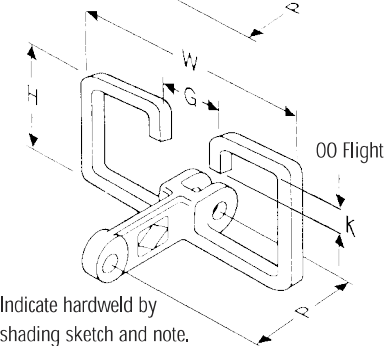
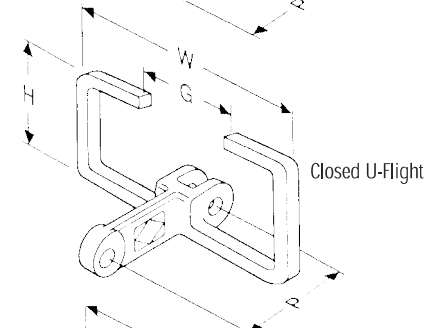
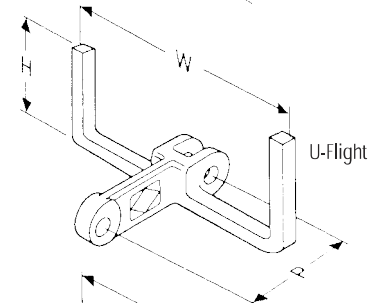
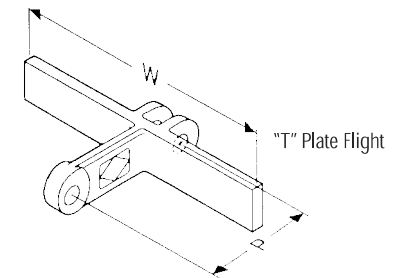
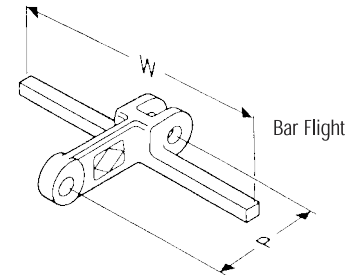
CU Style

W _____ P _____
 H _____ G _____
 Bar Size _____ Steel Type _____
 Mang. Tipp. _____ Plate Blanking? _____
 Provide Details of Blanking and Tipping

OO Style

W _____ P _____
 H _____ G _____ K _____
 Bar Size _____ Steel Type _____
 Mang. Tipp. _____ Plate Blanking? _____
 Provide Details of Blanking and Tipping

Typical Welded Flight Attachments



Indicate hardweld by shading sketch and note.

