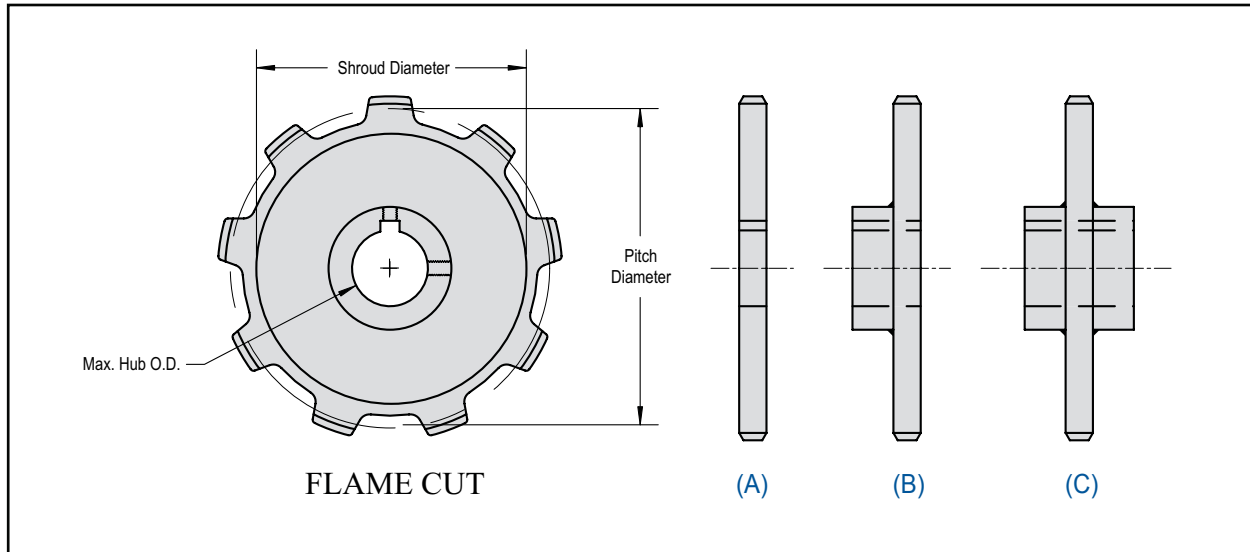


MILL CHAIN SPROCKET ORDERING GUIDE



Quantity	Chain Number	# of Teeth	Material	P.D.	O.D.	Profile	Standard	Split to Bolt

Hub Type	Bore Size	Hub O.D.	L.T.B.	Keyed or Bushed	Comments

