

OVERHEAD CHAINS



HEADQUARTERS 514.886.5270

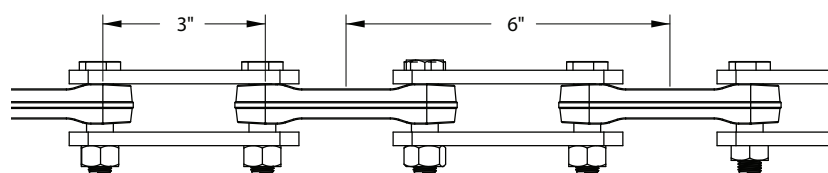
12985 Rue Brault, Mirabel Quebec, Canada J7J 0W2

UNIKINGCANADA.COM

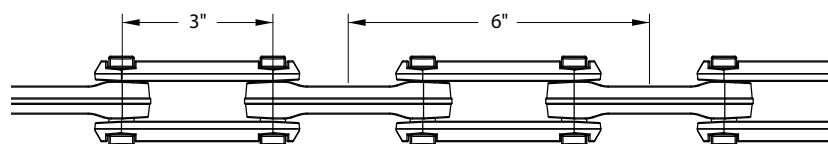
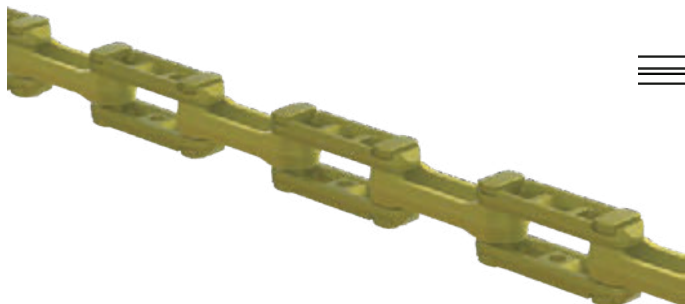
348 chains and parts

Chains without trolleys

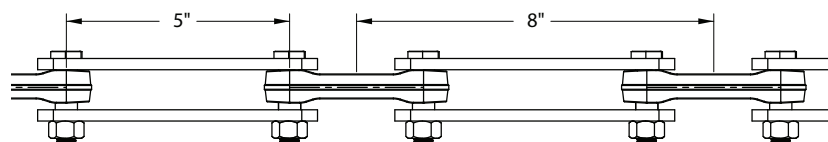
348 bolted chain



348 I-Pin chain



348 chain with extended side bar for 8" center chain



Ordering code

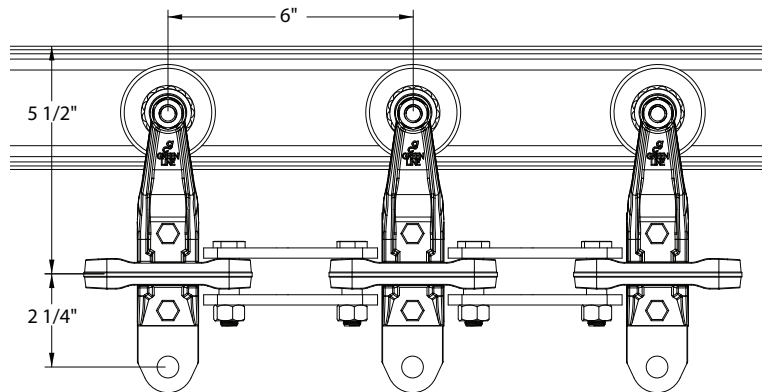
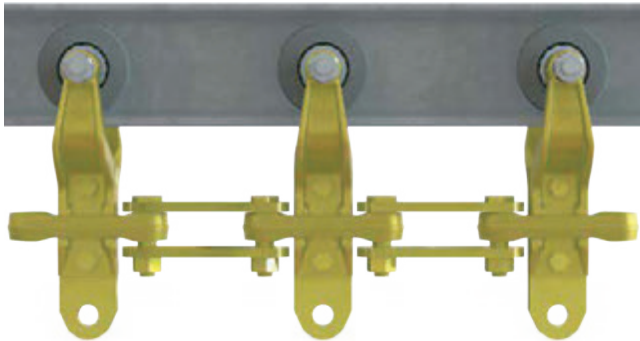
Plating	Chain type
3- Zinc-yellow dichromate plating (YDP)	1 348 bolted chain
4- Zinc nickel plating (ZNP)	2 348 I-Pin chain
	3 348 chain with extended side bar for 8" configurations

Part no.	Chain type	Plating	Assembling
3-1	348 bolted chain	YDP	assembled in 10 ft sections
3-2	348 I-Pin chain	YDP	assembled in 10 ft sections
3-3	348 chain with ext. side bar	YDP	assembled in 10 ft sections
4-1	348 bolted chain	ZNP	assembled in 10 ft sections



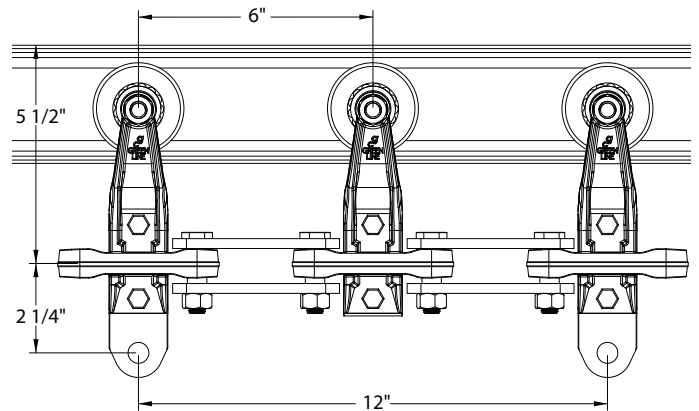
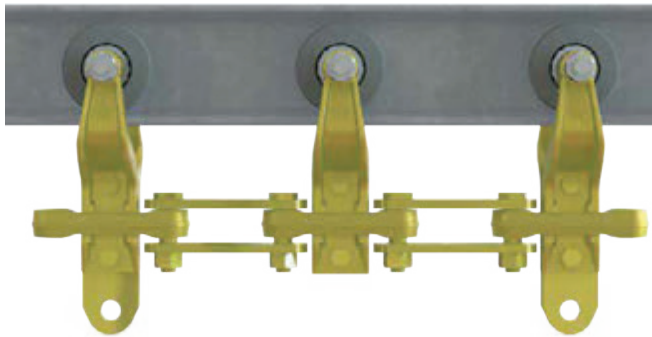
348 chains and parts

348 bolted chain with trolleys and pendants on 6" center



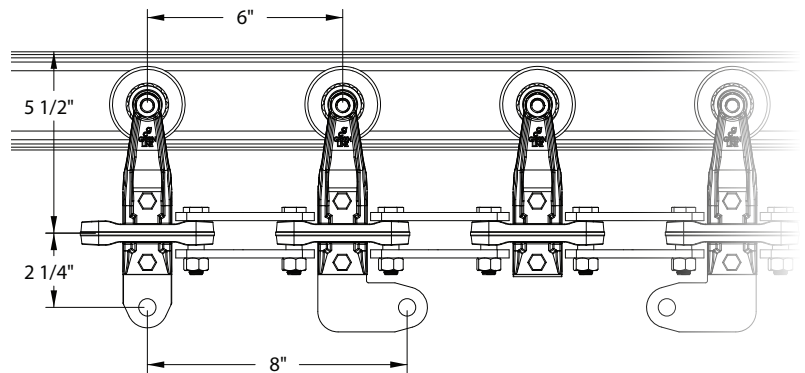
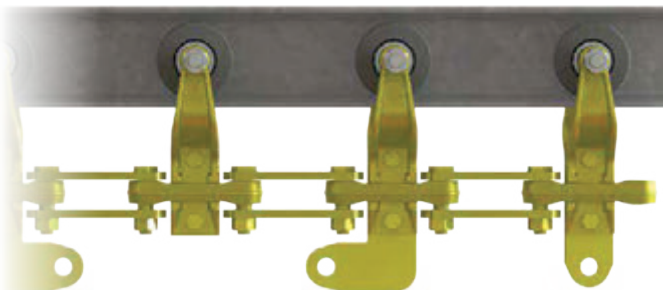
Shown: 348 chain yellow dichromate plating (YDP), gray ball bearing wheels on 6" and 35-C pendants with 17/32" shackle hole on 6" center

348 bolted chain with trolleys on 6" and pendants on 12" center



Shown: 348 chain yellow dichromate plating (YDP), gray ball bearing wheels on 6" and 35-C pendants with 17/32" shackle hole on 12" center

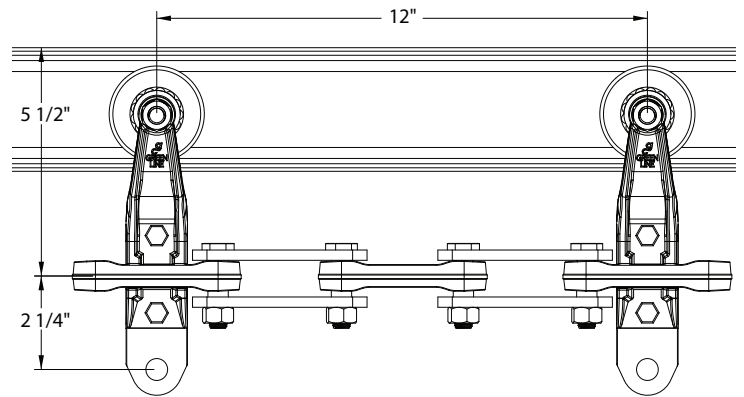
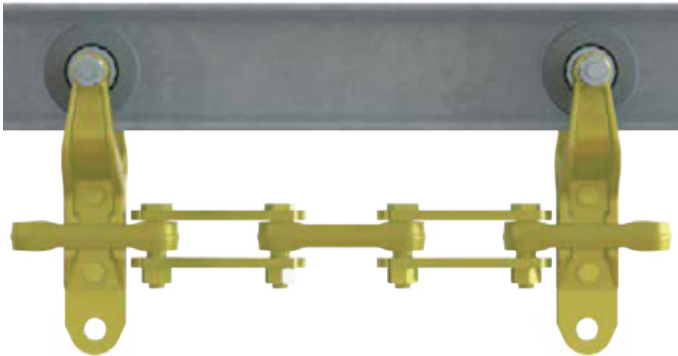
348 bolted chain with trolleys on 6" and pendants on 8" center



Shown: 348 chain yellow dichromate plating (YDP), gray ball bearing wheels on 6" and 35-C pendants with 17/32" shackle hole on 8" center

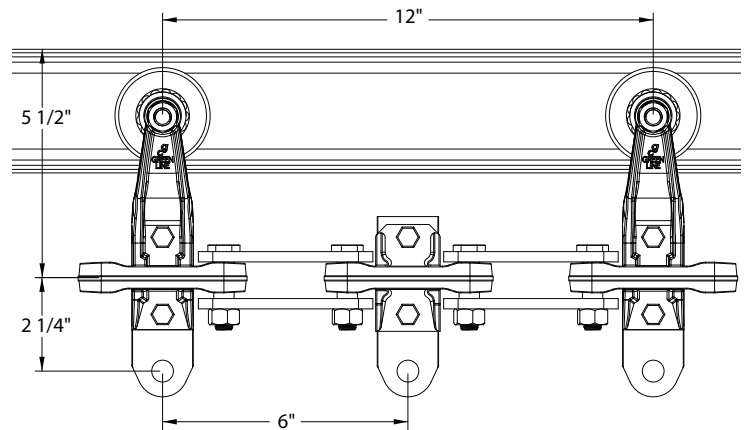
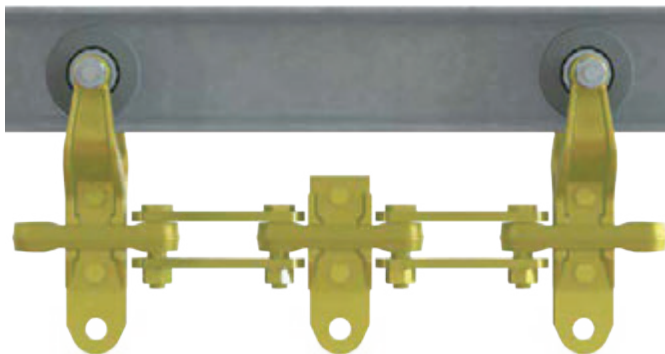
348 chains and parts

348 bolted chain with trolleys on 12" and pendants on 12" center



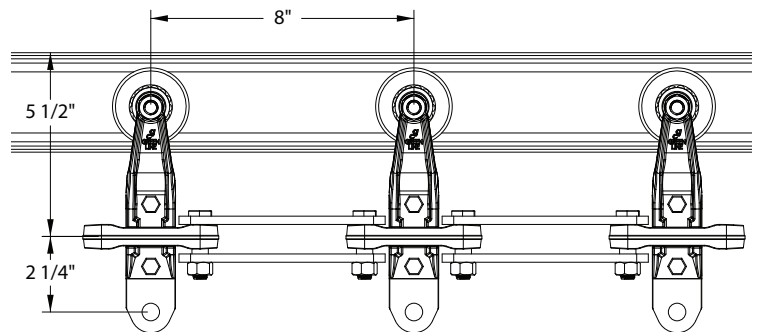
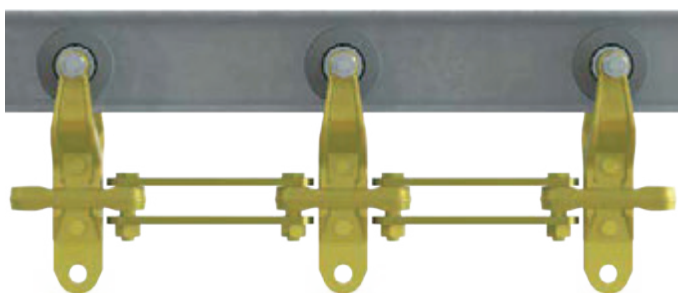
Shown: 348 chain yellow dichromate plating (YDP), gray ball bearing wheels on 12" and 35-C pendants with 17/32" shackle hole on 12" center

348 bolted chain with trolleys on 12" and pendants on 6" center



Shown: 348 chain yellow dichromate plating (YDP), gray ball bearing wheels on 12" and 35-C pendants with 17/32" shackle hole on 6" center

348 chain with extended side bars (8" center chain)

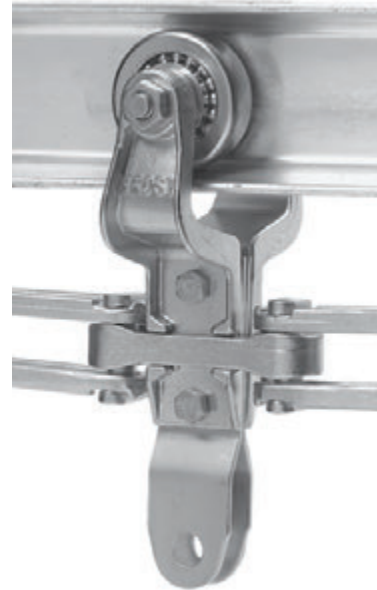


Shown: 348 chain yellow dichromate plating (YDP), gray ball bearing wheels on 8" and 35-C pendants with 17/32" shackle hole on 8" center

Stainless Steel Trolleys

FEATURING:
**The Strongest Bracket in
 the Industry**

- ✓ Excellent Corrosion and Chemical Resistance
- ✓ Long Trolley Life in Difficult Conditions
- ✓ Proven Frost Quality
- ✓ Reliable Performance
- ✓ USDA Approved Materials
- ✓ Stainless Steel Balls and Bearing Surfaces



WHICH PRODUCT SUITS YOUR NEEDS?

GENERATION II Premium Performance - corrosion resistant hardened alloy raceways with hardened balls on a strong stainless steel bracket. This configuration has the highest load rating and wear life we have seen in an all-stainless corrosion resistant trolley.

INDUSTRY STANDARD 300 series stainless steel raceways with longer lasting hardened balls on a strong stainless steel bracket.

Stainless Steel Half-Trolleys - With All Stainless Steel Components

Part Number	I-Beam	Style
5862631	3 Inch	Corrosion resistant <i>hardened</i> alloy raceways with high strength alloy bracket
5864631	3 Inch	Corrosion resistant 300 series raceways with high strength alloy bracket

Accessories

Part Number	I-Beam	Item	Style
0607031	3 Inch	"H" Attachment	Stainless Steel 300 Series
0606132	3 Inch	"I" Attachment	Stainless Steel 300 Series
0606335	3 Inch	"C" Attachment	Stainless Steel 300 Series
0131175	3 Inch	Assembly of Trolleys to Chain	Assembly with attachments
0031675	3 Inch	Bolt & Locknut Sets	Stainless Steel -- 18-8



Blue Poly Trolleys

- ✓ Excellent Corrosion and Chemical Resistance
- ✓ Longer Trolley Life in Difficult Conditions
- ✓ Field Proven
- ✓ Never Needs Lubrication
- ✓ USDA Approved Materials
- ✓ More Bearing Surface for Longer Life/Higher Load Rating



- ✓ Stainless Steel Bearing Surfaces
- ✓ Low Co-efficient of friction compared to other journal bearings
- ✓ Eliminates Product Contamination
- ✓ Very Quiet Operation
- ✓ Proven Frost Quality

Blue Poly Half-Trolleys* - With All Stainless Steel Bearing Surfaces

Part Number	I-Beam	Bracket Style and Finish
5810731	3 Inch	Forged, zinc (silver) plated
5810931	3 Inch	Forged, zinc (gold) plated
5817331	3 Inch	Forged, heavy duty, zinc (silver) plated
5819331	3 Inch	Forged, heavy duty, zinc (gold) plated
7984783	4 Inch	Stamped, zinc (silver) plated, 7-3/16" drop
7984780	4 Inch	Stamped, zinc (silver) plated, 8" drop
7984793	4 Inch	Forged, zinc (silver) plated, 7-3/16" drop
7984993	4 Inch	Forged, zinc (gold) plated, 7-3/16" drop
7984995	4 Inch	Forged 4x6, zinc (gold) plated, 7-7/16" drop
6981760	6 Inch	Forged, zinc (silver) plated, 10" drop
6981960	6 Inch	Forged, zinc (gold) plated, 10" drop
6983964	6 Inch	Forged 6x4, zinc (gold) plated, 10" drop

*Stainless steel brackets and hardware, as well as other configurations, also available

AVAILABLE WITH:

High Performance Polymer Materials for high temperature, high load, or high wear conditions

All Stainless Steel hardware and brackets/frames/side arms

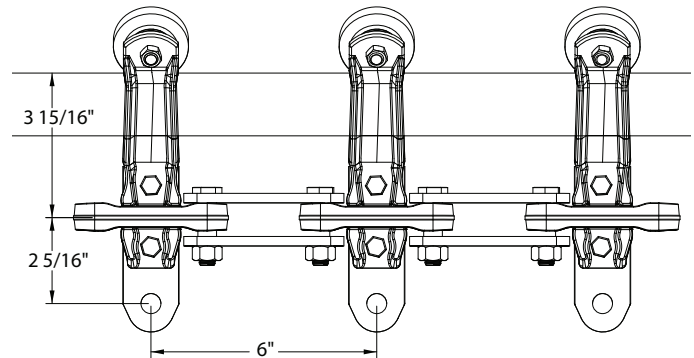
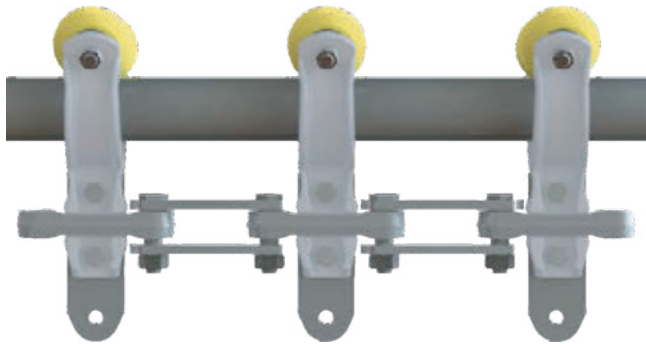
Assembled to chain with attachments

Specialized Coatings for increased corrosion protection



Typical 348 chain configurations

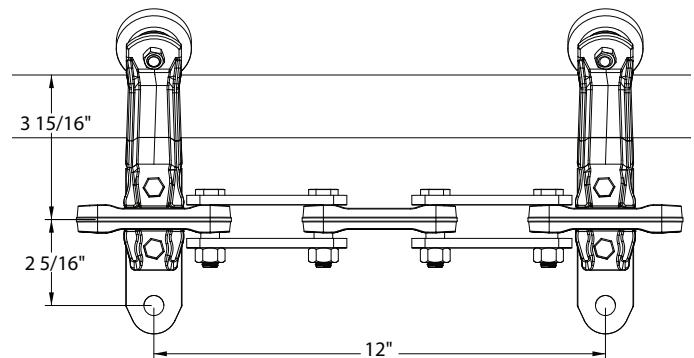
348 bolted chain with pipe track brackets on 6" center



Shown: 348 chain zinc nickel plating (ZNP), pipe track brackets with yellow pipe track wheels on 6" and 35-C pendants with 17/32" shackle hole on 6" center

Part no.	Chain type	Plating	Wheel type	Pendant type
3-1B021W5P21	348 bolted chain	YDP	clear zinc trolleys and yellow pipe track wheels with s.s. races on 6"	35-C pendants with 17/32" shackle hole on 6" center
3-1B021W5P22	348 bolted chain	YDP	clear zinc trolleys and yellow pipe track wheels with s.s. races on 6"	35-C pendants with 5/16" shackle hole on 6" center
4-1B021W5P21	348 bolted chain	ZNP	clear zinc trolleys and yellow pipe track wheels with s.s. races on 6"	35-C pendants with 17/32" shackle hole on 6" center
4-1B021W5P22	348 bolted chain	ZNP	clear zinc trolleys and yellow pipe track wheels with s.s. races on 6"	35-C pendants with 5/16" shackle hole on 6" center

348 bolted chain with pipe track brackets on 12" center



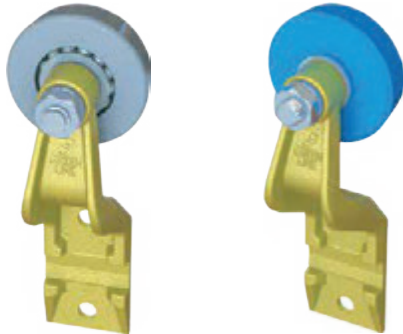
Shown: 348 chain yellow dichromate plating (YDP), SANI brackets with yellow pipe track wheels on 12" and 35-C pendants with 17/32" shackle hole on 12" center

Part no.	Chain type	Plating	Wheel type	Pendant type
3-1B024W5P21	348 bolted chain	YDP	clear zinc trolleys and yellow pipe track wheels with s.s. races on 12"	35-C pendants with 17/32" shackle hole on 12" center
3-1B024W5P22	348 bolted chain	YDP	clear zinc trolleys and yellow pipe track wheels with s.s. races on 12"	35-C pendants with 5/16" shackle hole on 12" center
4-1B024W5P21	348 bolted chain	ZNP	clear zinc trolleys and yellow pipe track wheels with s.s. races on 12"	35-C pendants with 17/32" shackle hole on 12" center
4-1B024W5P22	348 bolted chain	ZNP	clear zinc trolleys and yellow pipe track wheels with s.s. races on 12"	35-C pendants with 5/16" shackle hole on 12" center

348 chains and parts

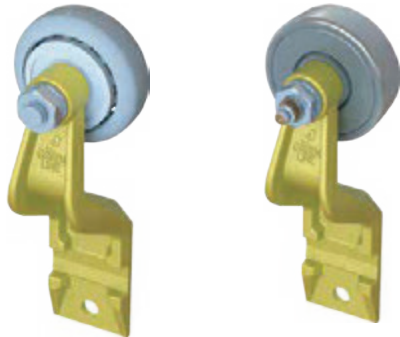
348 Trolley half's

348 Trolley half's



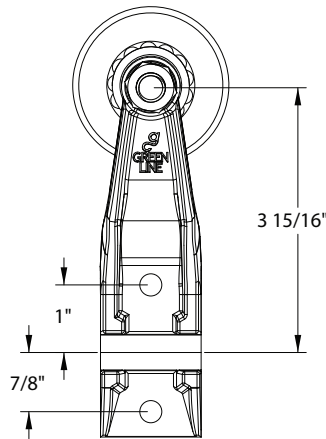
Gray ball bearing wheel with stainless steel races

Blue non ball bearing wheel

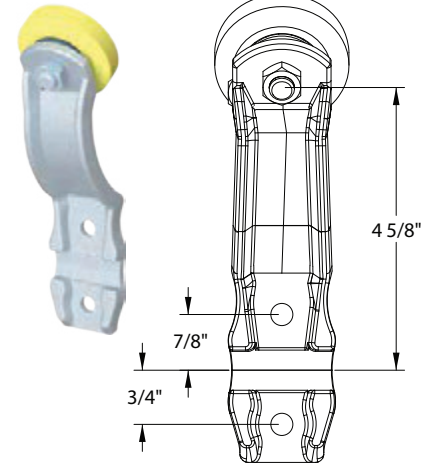


Gray caged ball bearing wheel

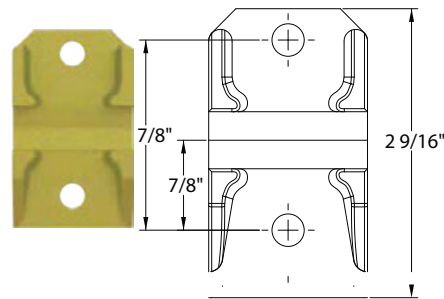
Plated ball bearing steel wheel



348 Pipe track trolley half



Trolley intermediate plate



Track cleaning brush



Ordering code

Plating	Brackets	Wheel type
3- Zinc-Yellow dichromate plating	B01 348 bracket	W1 Gray ball bearing wheels with stainless steel races
4- Zinc Nickel plating	B02 Pipe track bracket	W2 Blue non ball bearing plastic wheel
5- Clear zinc plating	B03 37-HF intermediate plate	W3 Gray caged ball bearing wheel
6- Stainless steel		W4 Plated ball bearing steel wheel
		W5 Pipe track wheel

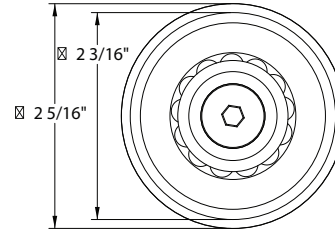
Part no.	Chain type	Plating	Wheel type
3-B01W1	348 trolley half	yellow dichromate	gray ball bearing wheel and stainless steel races
3-B01W2	348 trolley half	yellow dichromate	blue non ball bearing wheel
3-B01W3	348 trolley half	yellow dichromate	gray caged ball bearing wheel
3-B01W4	348 trolley half	yellow dichromate	plated ball bearing steel wheel
4-B01W1	348 trolley half	Zinc nickel	gray ball bearing wheel and stainless steel races
4-B01W2	348 trolley half	Zinc nickel	blue non ball bearing wheel
4-B01W3	348 trolley half	Zinc nickel	gray caged ball bearing wheel
4-B01W4	348 trolley half	Zinc nickel	plated ball bearing steel wheel
5-B02W5	348 pipe track trolley half	Clear zinc	yellow pipe track wheel
3-B03	Trolley intermediate plate	yellow dichromate	-
4-B03	Trolley intermediate plate	Zinc nickel	-
2095	Track cleaning brush set for 3" I-Beam with 16 individual brushes	-	-



348 Wheels

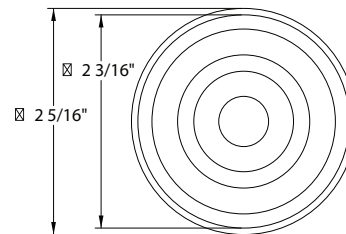
Part no. W1

403035-1 Gray ball bearing wheels,
7/16" lock nut with stainless steel races,
Hardware needed



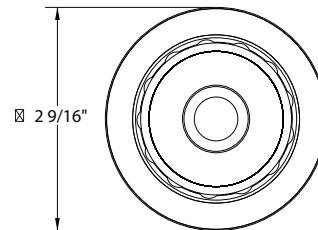
Part no. W2

403032GL Blue non ball bearing plastic wheel
3/8" flat washer Hardware needed
403033 7/16" lock nut
403034GL 7/16" hex bolt
4060235GL Ferrule



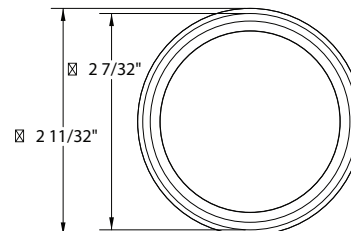
Part no. W3

W3B Gray caged ball bearing wheel
7/16" shoulder bolt Hardware needed
403033 7/16" lock nut



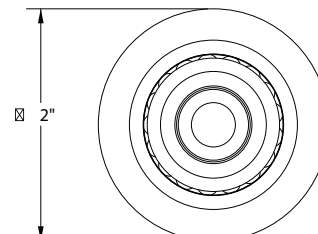
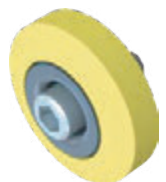
Part no. W4

403035 Plated ball bearing steel wheel
7/16" hex jam nut Hardware needed
403036 7/16" lock washer



Part no. W5

D5167 Pipe track wheel
Spacer Hardware needed
D5168 3/8" bolt
D5169 3/8" lock nut



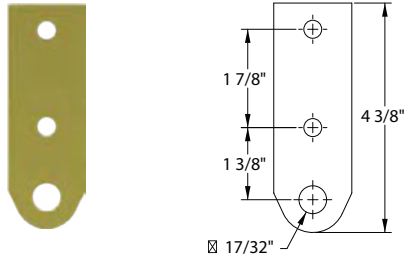
Ordering code

Wheel type	
W1	Gray ball bearing wheels with stainless steel races
W2	Blue non ball bearing plastic wheel
W3	Gray caged ball bearing wheel
W4	Plated ball bearing steel wheel
W5	Pipe track wheel

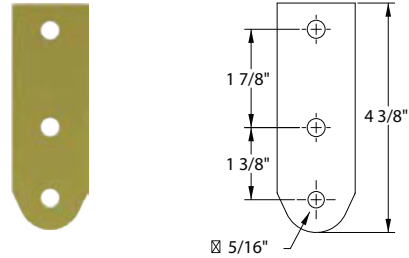
348 chains and parts

348 Pendants and attachments

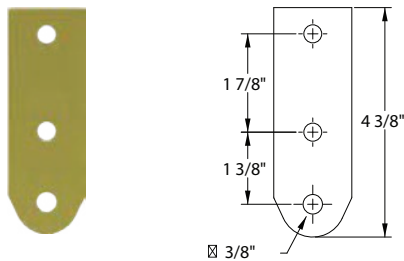
35-C pendant , 17/32" hole, Part no. P31



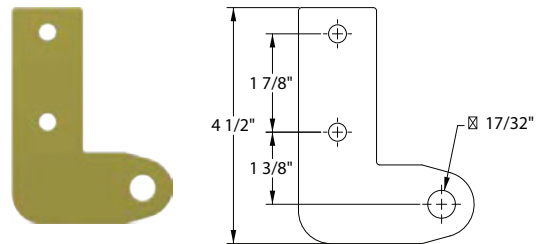
35-C pendant 5/16" hole, Part no. P32



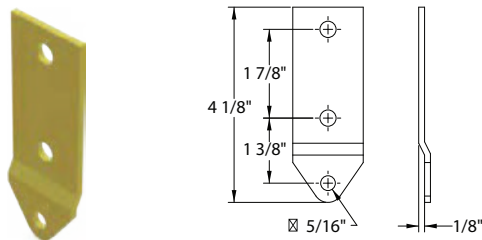
35-C pendant 3/8" hole, Part no. P33



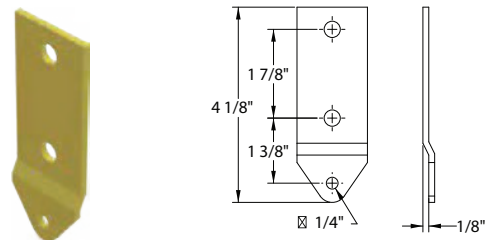
2" offset, 17/32" hole, Part no. P36



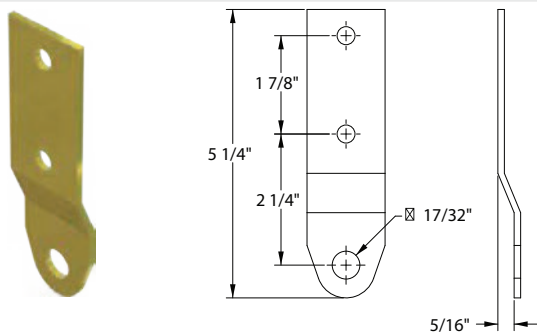
Sizing pendant, 5/16" hole, Part no. P47



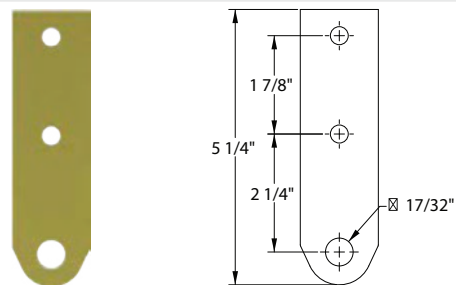
Sizing pendant, 1/4" hole, Part no. P48



31-H pendant, 17/32" hole, Part no. P45



32-C pendant, 17/32" hole, Part no. P42



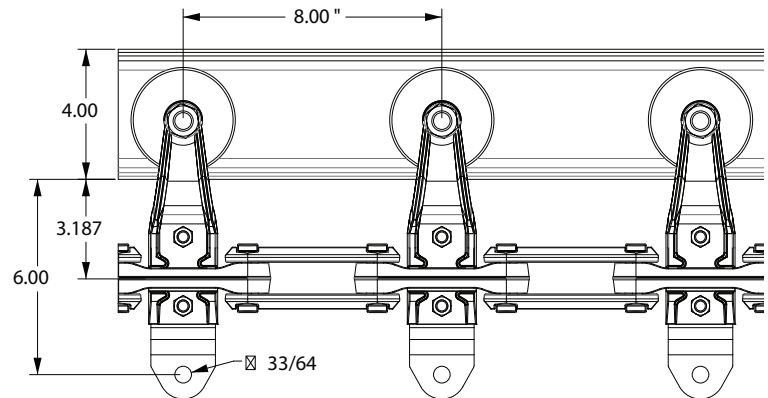
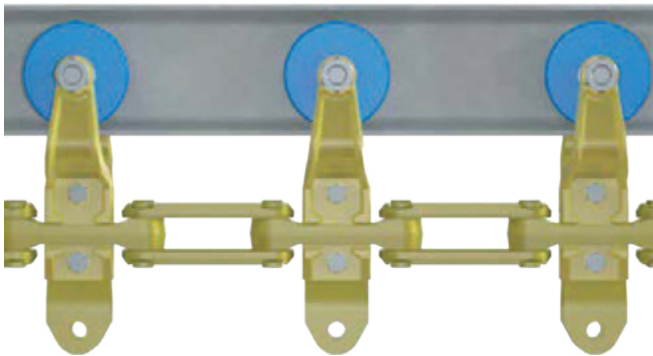
X-458 chain and parts

X-458 complete chain assemblies

Ordering code

Plating	Chain type	Brackets	Spacing	Wheel type	Pendant type
0- black, no plating 3- YDP: Zinc yellow dichromate plating	5 X-458 I-Pin chain	B04 Bracket with bolt hole B05 Bracket for swaged wheel	1 8" trolleys 8" pendants 2 16" trolleys 16" pendants	W6 Blue non ball bearing plastic wheel W11 Steel ball bearing wheel	P80 H-Attachment P81 H-attachment long P82 C-Attachment P83 I-Attachment

Part no. 3-5B041W6P80

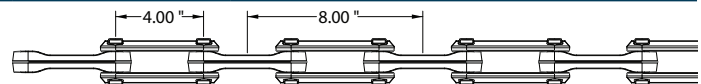


X-458 I-Pin chain, zinc yellow dichromate, trolleys with blue non ball bearing wheels on 8" center and H-Attachments on 8" center

X-458 chains and parts

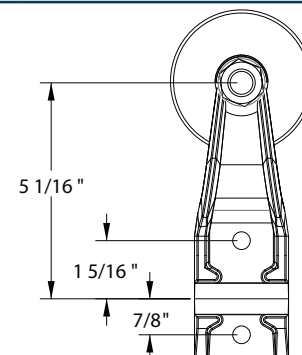
Part no.

3-5 X-458 chain plated zinc yellow dichromate



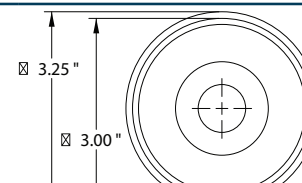
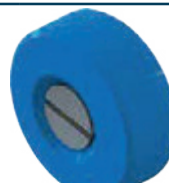
3-B04W6

X-458 trolley half with plastic wheel



W6

X-458 plastic wheel

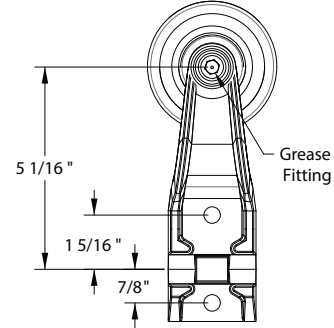


X-458 chain and parts

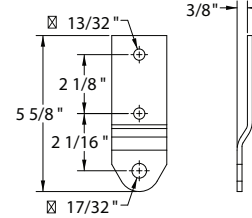
X-458 chains and parts

Part no.

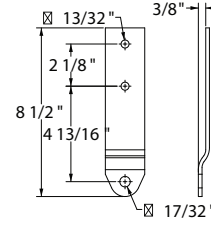
0-B05W11 X-458 trolley half with swaged wheel, no plating



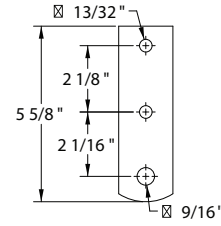
P80 X-458 H-Attachment



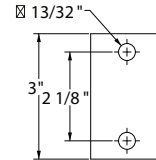
P81 X-458 H-Attachment, long



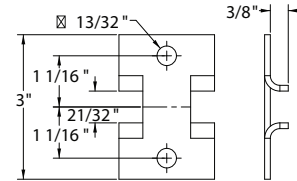
P82 X-458 C-Attachment



P83 X-458 space plate

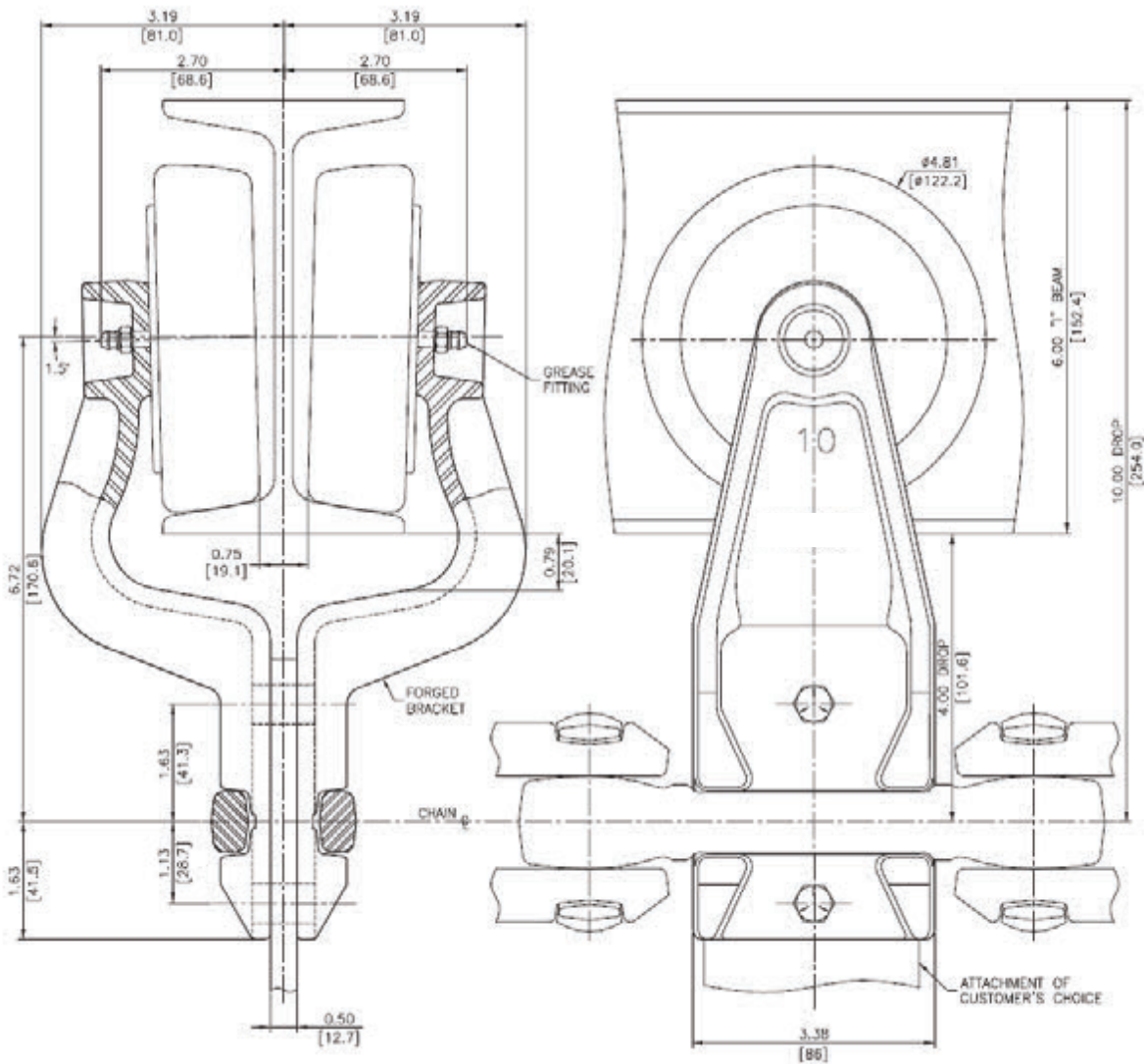


3-B05 X-458 intermediate plate



6" I-BEAM - Trolley

X678 Chain — Vertical Hole — 10" (254.0) Drop

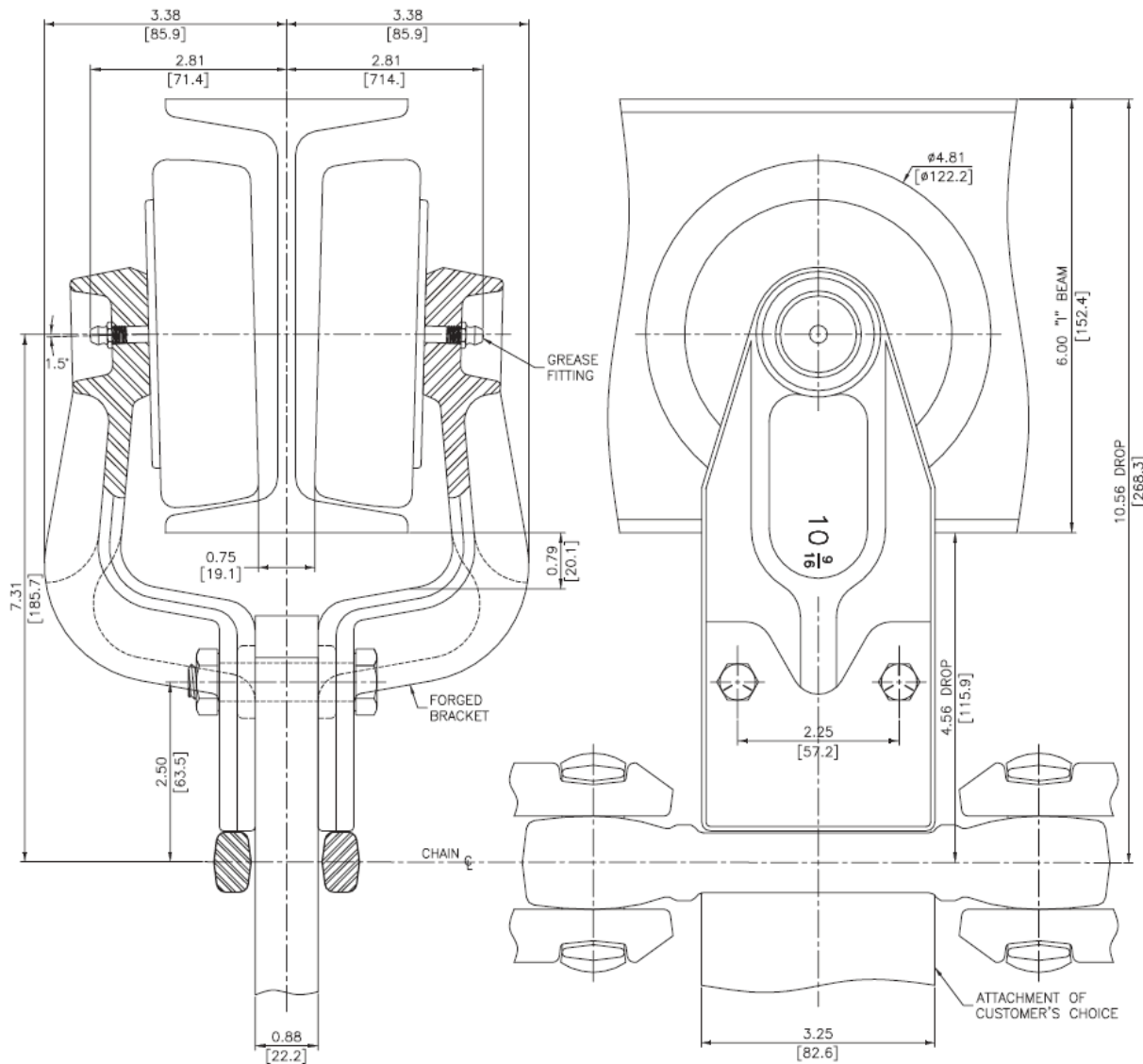


Part Number	Wheel Design	Shielding	Bracket Type	Attach. Holes Wheel to Brkt. Connect.
9010060	Retainer	Splashproof	Forged 10" Drop	Vertical Swaged
9260060	Retainer	Splashproof & Wiper - Nitrile	Forged 10" Drop	Vertical Swaged
9261060	Retainer	Splashproof/Wiper Seal Viton High Temp	Forged 10" Drop	Vertical Swaged
6460260	Full Ball Comp.	Open	Forged 10" Drop	Vertical Swaged
9480060	Full Ball Comp.	Splashproof	Forged 10" Drop	Vertical Swaged
6470260	Full Ball Comp.	Welsh Plug Only, No Shield	Forged 10" Drop	Vertical Swaged
6474260	Full Ball Comp.	Shield Only, No Welsh Plug	Forged 10" Drop	Vertical Swaged
9270060	Full Ball Comp.	Splashproof/Wiper - Nitrile	Forged 10" Drop	Vertical Swaged
9271060	Full Ball Comp.	Splashproof/Wiper Seal Viton High Temp	Forged 10" Drop	Vertical Swaged



6" I-BEAM - Trolley

X678 Chain — Horizontal Hole — 10 9/16" (268.3) Drop



Part Number	Wheel Design	Shielding	Bracket Type	Attach. Holes	Wheel to Brkt. Connect.
9010062	Retainer	Splashproof	Forged 10 9/16" Drop	Horizontal	Swaged
9260062	Retainer	Splashproof & Wiper - Nitrile	Forged 10 9/16" Drop	Horizontal	Swaged
9261062	Retainer	Splashproof/Wiper Seal Viton High Temp	Forged 10 9/16" Drop	Horizontal	Swaged
6460262	Full Ball Comp.	Open	Forged 10 9/16" Drop	Horizontal	Swaged
9480062	Full Ball Comp.	Splashproof	Forged 10 9/16" Drop	Horizontal	Swaged
6470262	Full Ball Comp.	Welsh Plug Only, No Shield	Forged 10 9/16" Drop	Horizontal	Swaged
6474262	Full Ball Comp.	Shield Only, No Welsh Plug	Forged 10 9/16" Drop	Horizontal	Swaged
9270062	Full Ball Comp.	Splashproof/Wiper - Nitrile	Forged 10 9/16" Drop	Horizontal	Swaged
9271062	Full Ball Comp.	Splashproof/Wiper Seal Viton High Temp	Forged 10 9/16" Drop	Horizontal	Swaged



HEADQUARTERS 514.886.5270

12985 Rue Brault, Mirabel Quebec, Canada J7J 0W2

UNIKINGCANADA.COM

PLASTIC OVERHEAD TROLRIES



HEADQUARTERS 514.886.5270

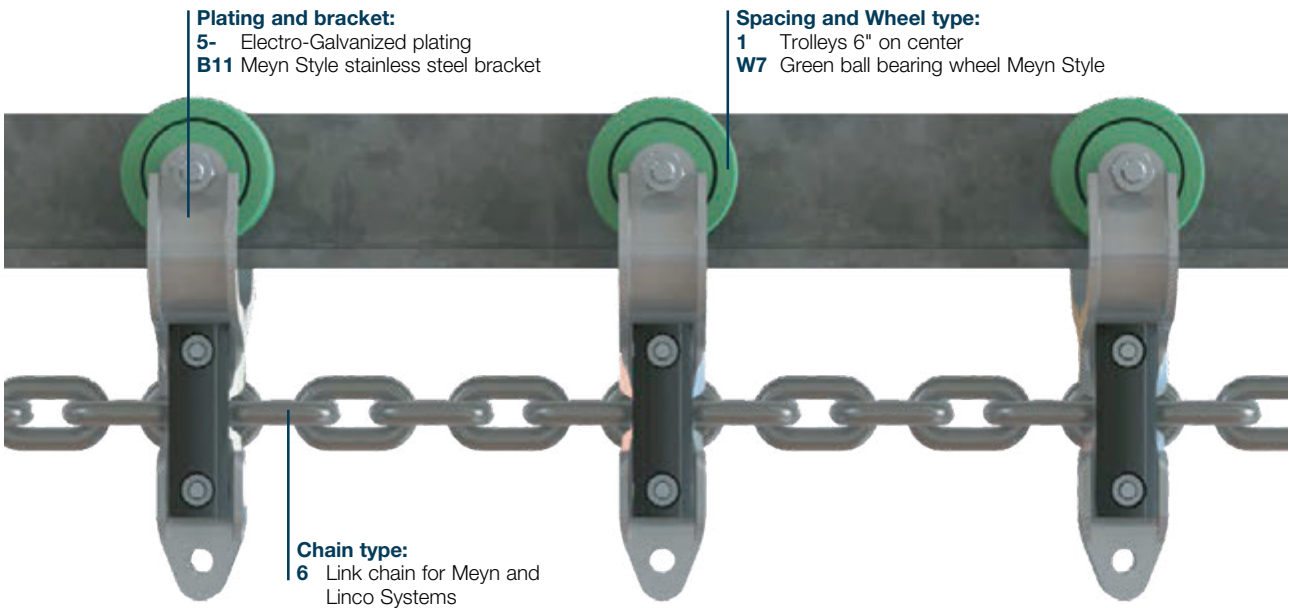
12985 Rue Brault, Mirabel Quebec, Canada J7J 0W2

UNIKINGCANADA.COM

Chain and parts - Meyn style

Ordering code

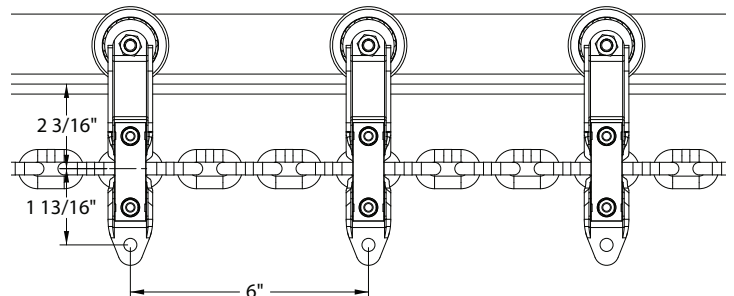
Plating	Chain type	Brackets	Spacing	Wheel type
5- Electro-Galvanized	6 Link chain for MEYN and LINCO Systems	B10 Meyn Style plastic bracket	0 Trolleys 4" on center	W7 Green ball bearing wheel Meyn Style
6- Stainless Steel	7 Link chain for STORK Systems	B11 Meyn Style stainless steel bracket	1 Trolleys 6" on center	W8 Blue ball bearing wheel Stork Style
	8 Link chain MEYN turkey lines (10mm x 38mm)	B11R Meyn Style stainless steel bracket, refurbished	2 Trolleys 8" on center	W9 Blue ball bearing wheel Linco Style
		B12(W7) Meyn Style plastic bracket	3 Trolleys 12" on center	W10 Gray heavy duty wheel with stainless steel races
		B14 Meyn Style turkey bracket	4 Trolleys alternating 4" and 8" on center	W11 Gray heavy duty wheel with stainless steel races
		B23(W8) Stork Style plastic bracket/wheel combo long with shackle hole	5 Trolleys alternating long/short 6" center	W12 Blue non-ball bearing link chain wheel
		B24(W8) Stork Style plastic bracket/wheel combo short	6 Trolleys alternating MX/short 6" center	W14 Gray ball bearing turkey bracket wheel
		B25(W8) Stork Style plastic MX bracket/wheel combo	7 Trolleys alternating long/long/short 6" center	
		B30 Linco Style stainless steel bracket	8 Trolleys alternating short/short/long 12" center	
			9 Trolleys alternating 6" and 9", turkey brackets	



Complete chain assemblies



Part no. 5-6B11W7 Link chain assembly MEYN Style, stainless steel trolleys on 6"

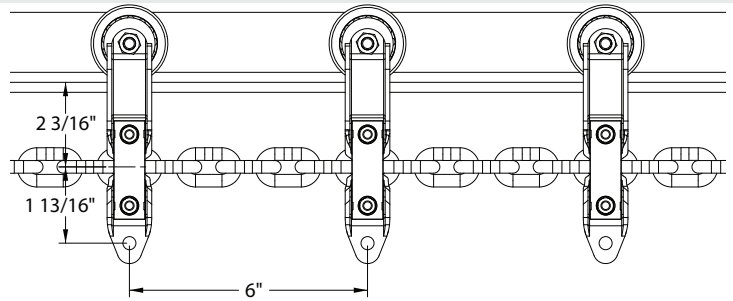


Chains and parts - Meyn style

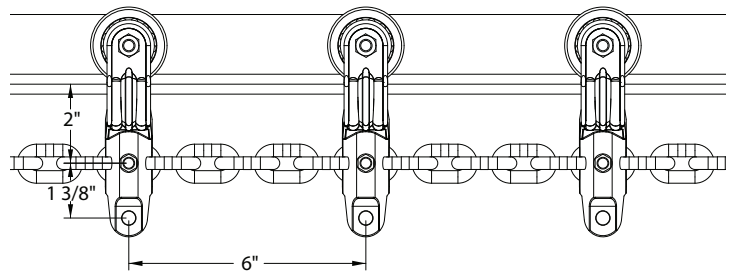
Complete chain assemblies



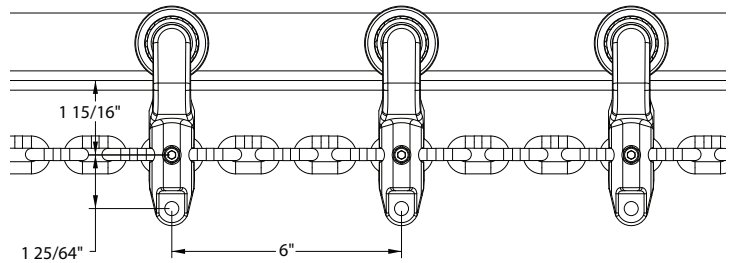
Part no. 5-6B111W10 Link chain assembly MEYN Style, stainless steel trolleys on 6"



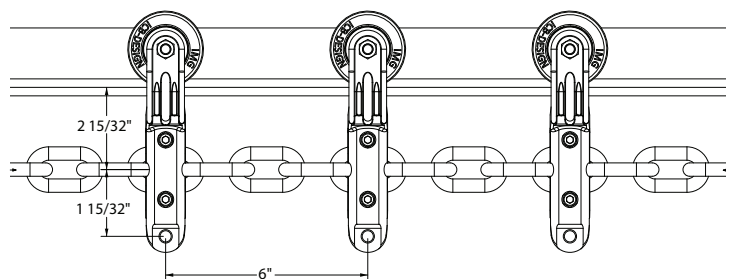
Part no. 5-6B101W7 Link chain assembly MEYN Style, plastic trolleys, 6"



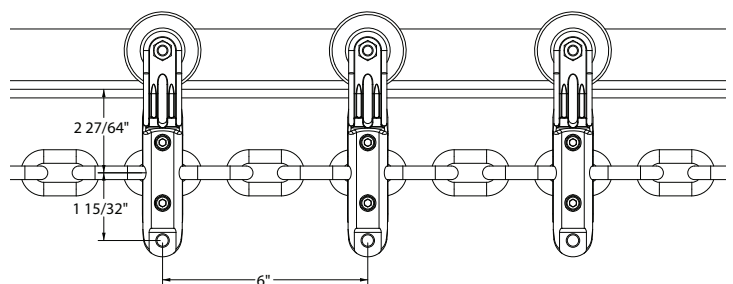
Part no. 5-6B121W7 Link chain assembly MEYN Style, plastic trolleys new style, 6" center



Part no. 5-8B141W14 Link chain assembly MEYN Style on 10x38mm chain, ball bearing wheels 6" center



Part no. 5-8B141W11 Link chain assembly MEYN Style on 10x38mm chain, non-ball bearing wheels 6" center

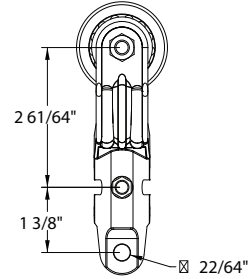


Chain and parts - Meyn style

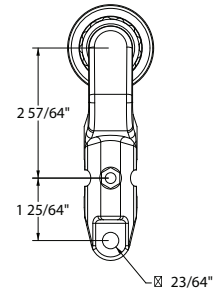
Chains and parts

Part no.

B10W7 Meyn Style plastic trolley half

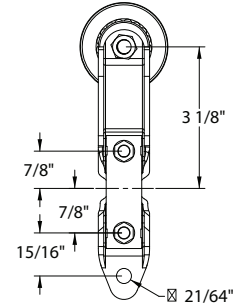


W12W7 Meyn Style plastic trolley half, wheel/bracket combo



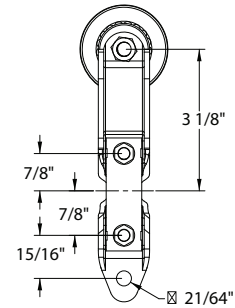
B11W7 Meyn Style stainless steel trolley half

B11RW7 Meyn Style stainless steel trolley half, refurbished

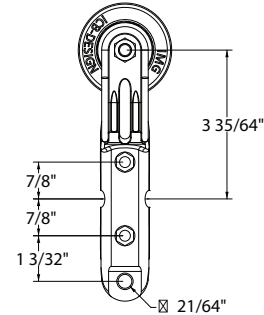


B11W10 Meyn Style stainless steel trolley half with heavy duty wheel

B11RW10 Meyn Style stainless steel trolley half with heavy duty wheel, refurbished


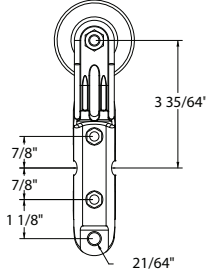

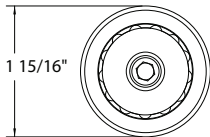

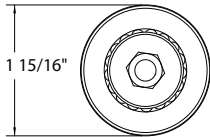

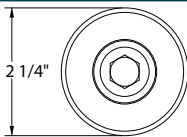

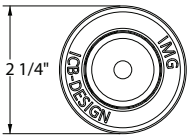

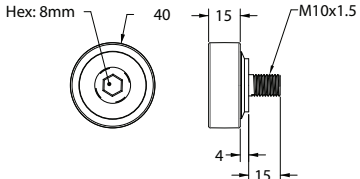

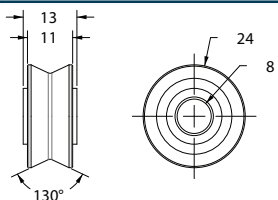



B14W14 Meyn Style turkey trolley half with ball bearing wheel



Chains and parts - Meyn style

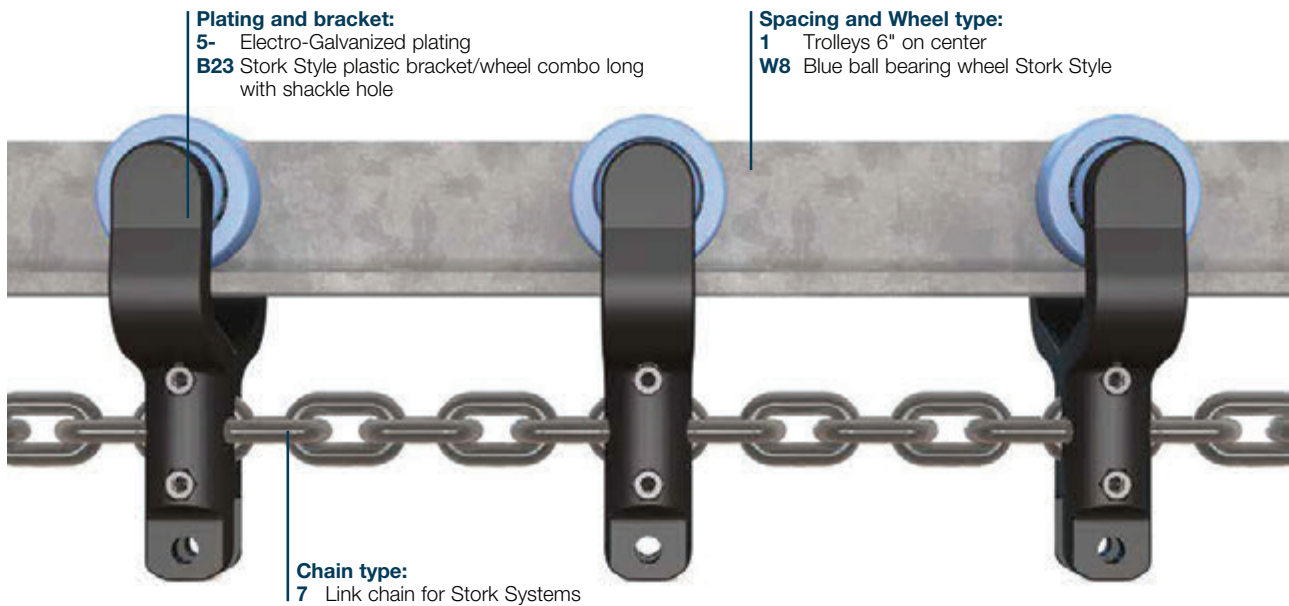
Chains and parts

Part no.			
B14W11	Meyn Style turkey trolley half with non-ball bearing wheel		
W7	Meyn style green wheel		
W10	Meyn style gray link chain wheel with s.s. races		
W11	Non-Ball bearing turkey wheel		
W14	Ball bearing turkey wheel		
CGS-1686 (OEM 0990.LR00.000.02)	Cam follower bearing for Meyn machines (measurements in mm)		
DE0-1836N2 (OEM 89.3965.904.0012)	Re-hanger bearing for Meyn machines (measurements in mm)		
5-6	Link chain for Meyn systems, plated		
6-6	Link chain for Meyn systems, stainless steel		
5-8	Link chain for Meyn turkey systems (10x38mm)		
OC.00.104	Connecting link for 8mm chain		
C5-8	Connecting link for 10mm chain		

Chain and parts - Stork style

Ordering code

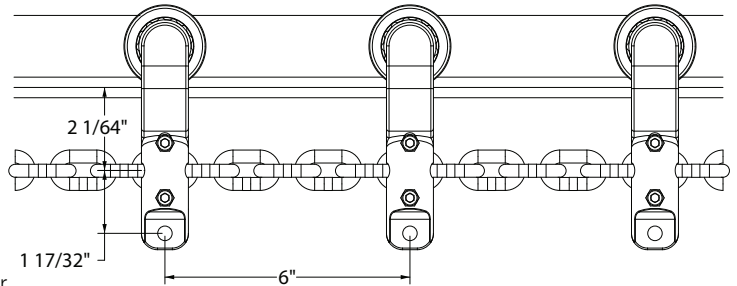
Plating	Chain type	Brackets	Spacing	Wheel type
5- Electro-Galvanized	6 Link chain for MEYN and LINCO Systems	B10 Meyn Style plastic bracket	0 Trolleys 4" on center	W7 Green ball bearing wheel Meyn Style
6- Stainless Steel	7 Link chain for STORK Systems	B11 Meyn Style stainless steel bracket	1 Trolleys 6" on center	W8 Blue ball bearing wheel Stork Style
	8 Link chain MEYN turkey lines (10mm x 38mm)	B11R Meyn Style stainless steel bracket, refurbished	2 Trolleys 8" on center	W9 Blue ball bearing wheel Linco Style
		B12(W7) Meyn Style plastic bracket	3 Trolleys 12" on center	W10 Gray heavy duty wheel with stainless steel races
		B14 Meyn Style turkey bracket	4 Trolleys alternating 4" and 8" on center	W11 Blue non-ball bearing turkey bracket wheel
		B23(W8) Stork Style plastic bracket/wheel combo long with shackle hole	5 Trolleys alternating long/short 6" center	W12 Blue non-ball bearing link chain wheel
		B24(W8) Stork Style plastic bracket/wheel combo short	6 Trolleys alternating MX/short 6" center	W14 Gray ball bearing turkey bracket wheel
		B25(W8) Stork Style plastic MX bracket/wheel combo	7 Trolleys alternating long/long/short 6" center	
		B30 Linco Style stainless steel bracket	8 Trolleys alternating short/short/long 12" center	
			9 Trolleys alternating 6" and 9", turkey brackets	



Complete chain assemblies



Part no. 5-7B231W8 Link chain assembly Stork Style, long-long 6" center

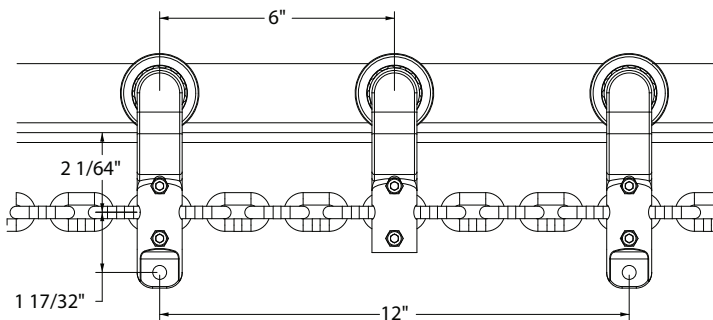


Chains and parts - Stork style

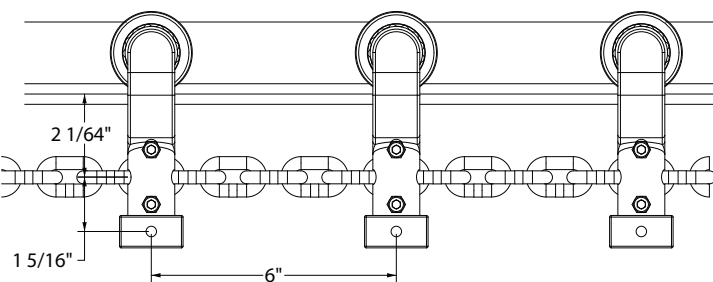
Complete chain assemblies



Part no. 5-7B235W8 Link chain assembly Stork Style, long/short alternating, 6" center



Part no. 5-7B251W8 Link chain assembly Stork Style, MX, 6" center

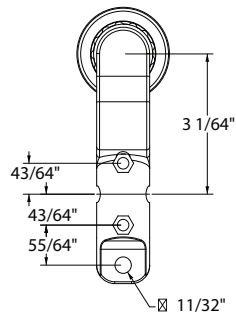


Chains and parts

Part no.

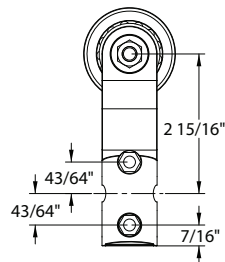
B23W8

Stork Style plastic Trolley Half, long with shackle hole and blue ball bearing wheel




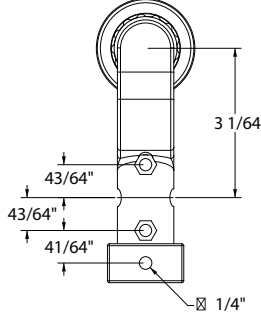

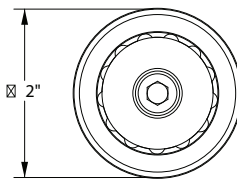

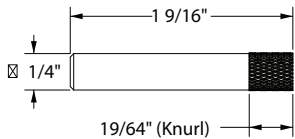

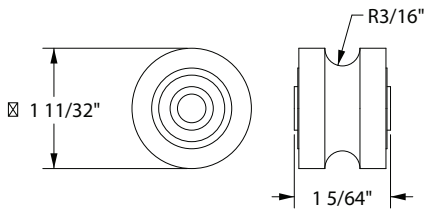

B24W8

Stork Style plastic trolley half, short, with blue ball bearing wheel



Chain and parts - Stork style

Chains and parts

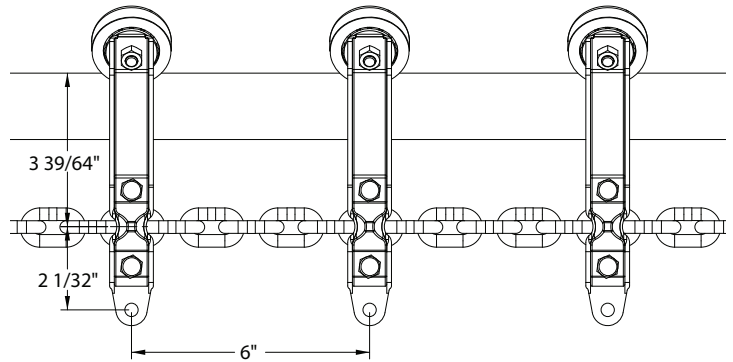
Part no.			
B25W8	Stork Style plastic Trolley Half, MX, with blue ball bearing wheel		
W8	Stork style blue ball bearing wheel		
B25-PIN	Pin for MX bracket		
PW00034	Stork Style re-hanger bearing 34mm		
5-7	Link chain for Stork systems, plated		
OC.00.104	Chain connecting link		

Hardware for Meyn, Stork and Linco style chains and parts

Part no.	Part
M8X30-A2 DIN 912	Bolt to attach wheel to Meyn style and Stork style plastic brackets
M8X25-A2 DIN 912	Bolt to attach wheel to Meyn style stainless steel brackets
M8X30-A2 DIN 7791	Bolt to attach wheel on Linco style stainless steel bracket
M8X16-A2 DIN 912	Bolt to attach Linco trolleys on link chain
M8-A2 DIN 985	Locknut to attach wheel to Meyn, Stork and Linco style brackets (and Linco trolleys on link chain)
M6X35-A2 DIN 912	Bolt to attach Meyn style plastic and stainless steel trolleys on link chain
M6X30-A2 DIN 912	Bolt to attach Stork style plastic trolleys on link chain
M6-A2 short DIN 986	Locknut to put Meyn and Stork style trolleys on link chain
OC.00.104	Connecting link for 8mm chain
C5-8	Connecting link for 10mm chain

Chains and parts - Linco style

Complete chain assemblies

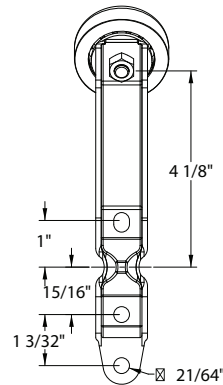


Part no. 5-6B301W9 Link chain assembly Linco, 6" center

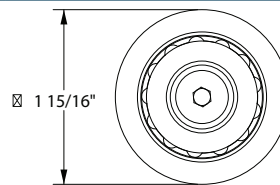
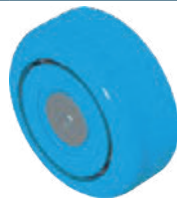
Chains and parts

Part no.

B30W9 Linco style stainless steel trolley half with blue ball bearing wheel



W9 Linco style blue ball bearing wheel



5-6 Link chain for Meyn and Linco systems, plated

OC.00.104 Chain connecting link





HEADQUARTERS 514.886.5270

12985 Rue Brault, Mirabel Quebec, Canada J7J 0W2

UNIKINGCANADA.COM



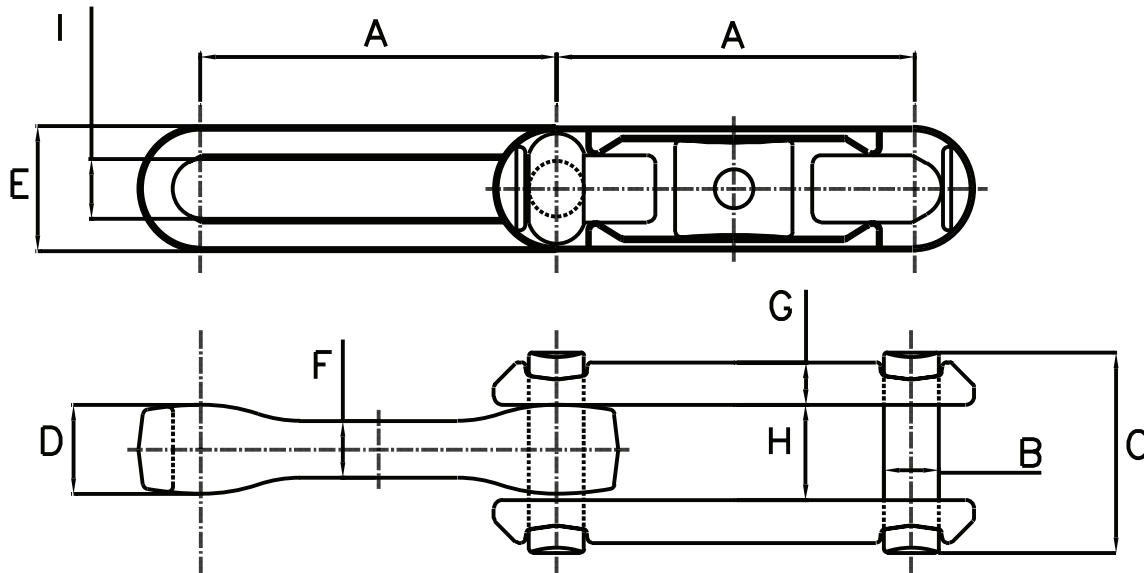
HEADQUARTERS 514.886.5270

12985 Rue Brault, Mirabel Quebec, Canada J7J 0W2

UNIKINGCANADA.COM

X-Type Rivetless Chain

3", 4", and 6" Smooth Link® Conveyor Chain



Dimensional Characteristics

Chain Number	System Size	Links in 10-Ft. (3.05 m)	A Nomnal Pitch	B Pin Diameter	C Outside Pin Length	D Max Ctr Length Width	E Pin Head Width	F Min Ctr Link Width	G Min Side Link Thickness	H Max Side Link Distance	I Min Radius Bearing Surface
X-348	3" (76.2 mm)	40	3.015" (76.6 mm)	0.49" (12.4 mm)	1.74" (44.2 mm)	0.74" (18.8 mm)	1.00" (25.4 mm)	0.51" (13.0 mm)	0.40" (10.2 mm)	0.79" (20.1 mm)	0.53" (13.5 mm)
X-458	4" (101.6 mm)	30	4.031" (102.4 mm)	0.625" (15.9 mm)	2.25" (57.2 mm)	1.00" (25.4 mm)	1.24" (31.5 mm)	0.64" (16.3 mm)	0.48" (12.2 mm)	1.08" (27.4 mm)	0.66" (16.8 mm)
X-678	6" (152.4 mm)	20	6.031" (153.2 mm)	0.862" (21.9 mm)	3.03" (76.9 mm)	1.28" (32.5 mm)	1.875" (47.6 mm)	0.83" (21.1 mm)	0.70" (17.8 mm)	1.35" (34.3 mm)	0.95" (24.1 mm)

Manufacturing Tolerances

Chain Number	Minimum Strength	Length Tolerance for 10-Ft. (3.05 m) Strand	Measuring Load	Weight per 10-Ft. (3.05 m) Strand
X-348	22,000 lbs. (10,000 kg)	120.10" - 121.85" (3.0505 m - 3.0950 m)	100 lbs. (45.45 kg)	21 lbs. (9.5 kg)
X-458	54,000 lbs. (24,545 kg)	120.43" - 121.68" (3.0589 m - 3.0907 m)	200 lbs. (90.90 kg)	32 lbs. (14.5 kg)
X-458 (8642)	68,000 lbs. (30,909 kg)			
X-678	85,000 lbs. (38,640 kg)	120.37" - 121.37" (3.0574 m - 3.0828 m)	300 lbs. (136.40 kg)	65 lbs. (29.5 kg)
X-678 (8642)	125,000 lbs. (56,818 kg)			

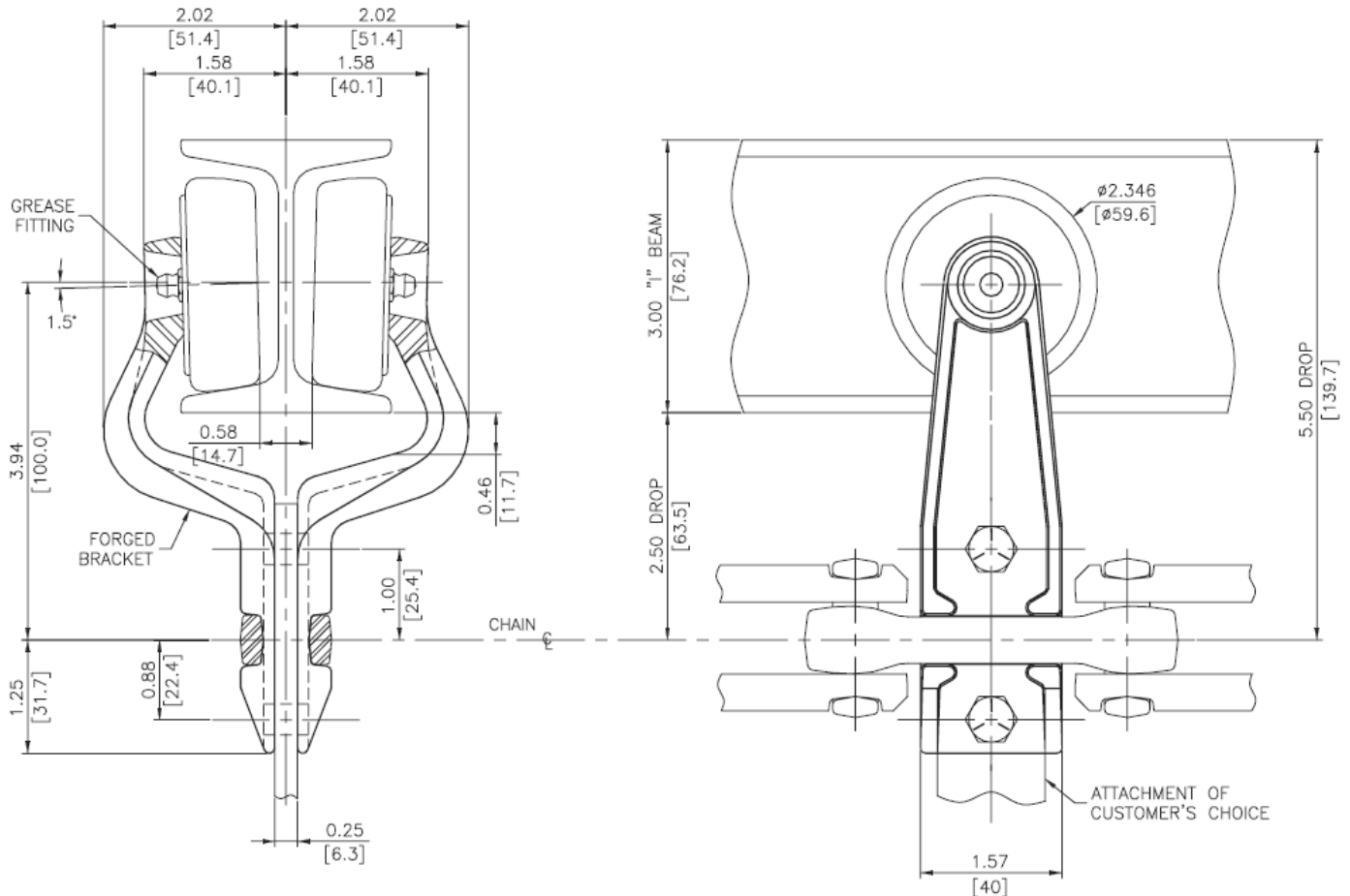
Part Number Description

UK 0513480	X-348 Smooth Link Chain
UK 0514580	X-458 Smooth Link Chain
UK 0584580	X-458 Smooth Link Chain - 8642
UK 0516780	X-678 Smooth Link Chain
UK 0586780	X-678 Smooth Link Chain - 8642



3" I-BEAM Trolley

X348 Chain — Vertical Hole — 5 1/2" (139.7) Drop



Part Number	Wheel Design	Shielding	Bracket Type	Attach. Holes	Wheel to Brkt. Connect.
UK 5200234	Retainer	Open	Forged 5 1/2" Drop	Vertical	Swaged
UK 5240034	Retainer	Splashproof	Forged 5 1/2" Drop	Vertical	Swaged
UK 5280034	Retainer	Triple Labyrinth	Forged 5 1/2" Drop	Vertical	Swaged
UK 5270034	Retainer	Contact Lip Seal - Nitrile	Forged 5 1/2" Drop	Vertical	Swaged
UK 5210234	Retainer	Welsh Plug Only, No Shield	Forged 5 1/2" Drop	Vertical	Swaged
UK 5220234	Retainer	Shield Only, No Welsh Plug	Forged 5 1/2" Drop	Vertical	Swaged
UK 5400234	Full Ball Comp.	Open	Forged 5 1/2" Drop	Vertical	Swaged
UK 5410234	Full Ball Comp.	Welsh Plug Only, No Shield	Forged 5 1/2" Drop	Vertical	Swaged
UK 5420234	Full Ball Comp.	Shield Only, No Welsh Plug	Forged 5 1/2" Drop	Vertical	Swaged
UK 5440034	Full Ball Comp.	Splashproof	Forged 5 1/2" Drop	Vertical	Swaged
UK 5470034	Full Ball Comp.	Contact Lip Seal - Nitrile	Forged 5 1/2" Drop	Vertical	Swaged
UK 5479034	Full Ball Comp.	Contact Lip Seal - Viton	Forged 5 1/2" Drop	Vertical	Swaged

NOTE: Please consult with Uniking for requirements for trolley-halves not listed above. Uniking manufactures many variations on an order by order basis. For example: Zinc plating, chrome balls, alloy steel races, special greases, extra clearance (i.e., special features).



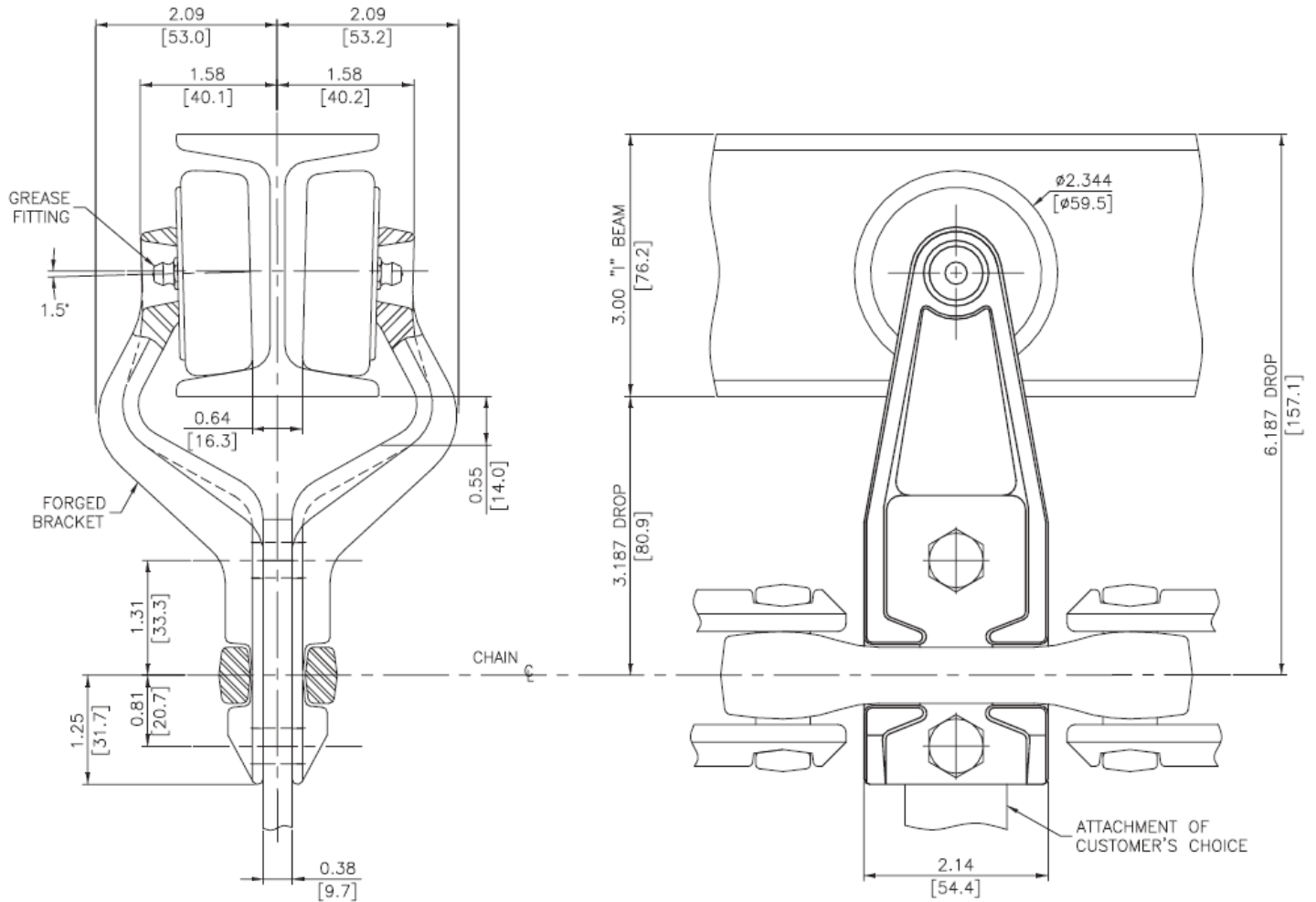
HEADQUARTERS 514.886.5270

12985 Rue Brault, Mirabel Quebec, Canada J7J 0W2

UNIKINGCANADA.COM

3" I-BEAM Trolley

X458 Chain – Vertical Hole – 6³/₁₆" (157.1) Drop



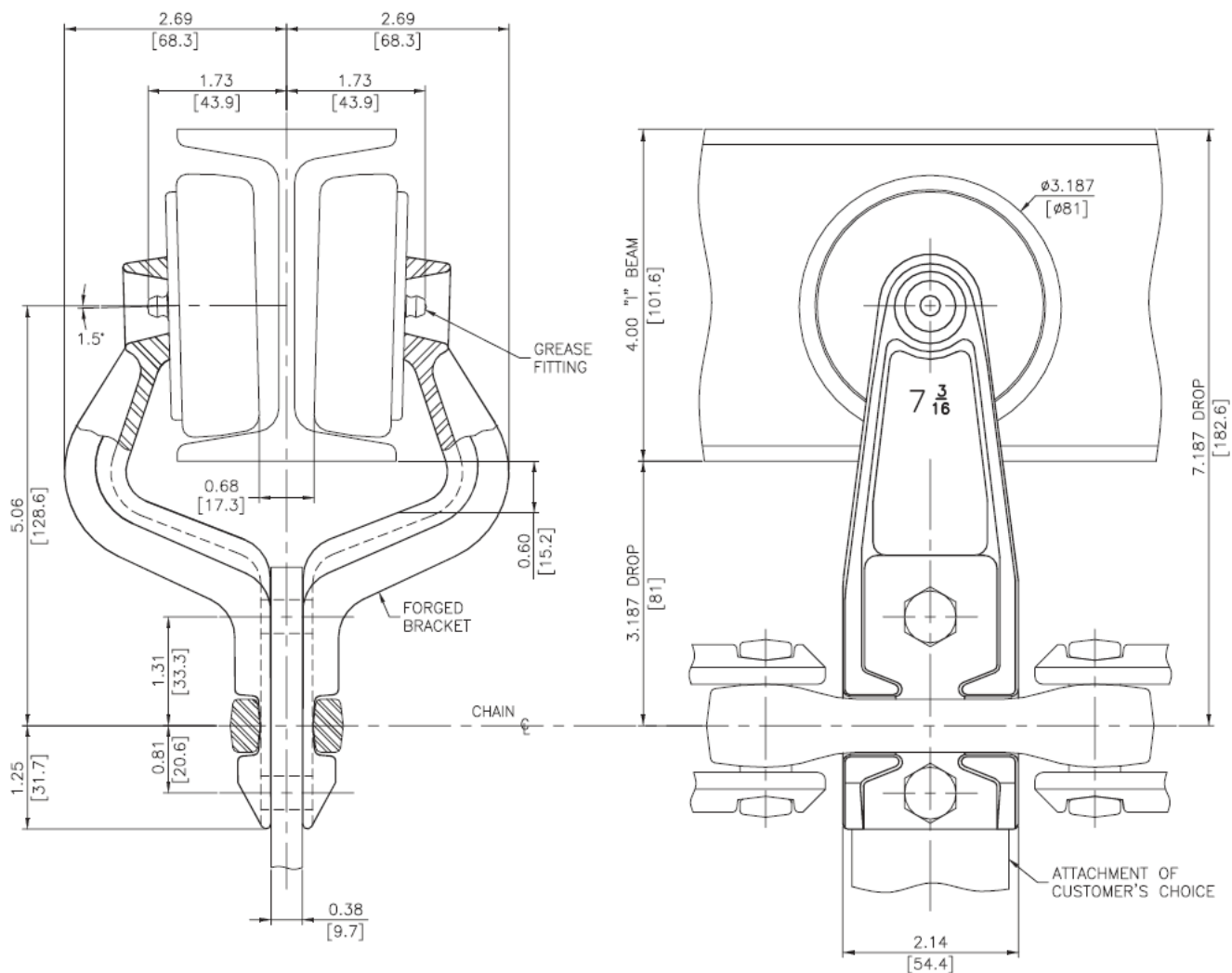
Part Number	Wheel Design	Shielding	Bracket Type	Attach. Holes	Wheel to Brkt. Connect.
UK 5240038	Retainer	Splashproof	6 3/16" Drop	Vertical	Swaged
UK 5280038	Retainer	Triple Labyrinth	6 3/16" Drop	Vertical	Swaged
UK 5270038	Retainer	Contact Lip Seal - Nitrile	6 3/16" Drop	Vertical	Swaged
UK 5210238	Retainer	Welsh Plug Only, No Shield	6 3/16" Drop	Vertical	Swaged
UK 5220238	Retainer	Shield Only, No Welsh Plug	6 3/16" Drop	Vertical	Swaged
UK 5400238	Full Ball Comp.	Open	6 3/16" Drop	Vertical	Swaged
UK 5410238	Full Ball Comp.	Welsh Plug Only, No Shield	6 3/16" Drop	Vertical	Swaged
UK 5420238	Full Ball Comp.	Shield Only, No Welsh Plug	6 3/16" Drop	Vertical	Swaged
UK 5440038	Full Ball Comp.	Splashproof	6 3/16" Drop	Vertical	Swaged
UK 5470038	Full Ball Comp.	Contact Lip Seal - Nitrile	6 3/16" Drop	Vertical	Swaged
UK 5479038	Full Ball Comp.	Contact Lip Seal - Viton	6 3/16" Drop	Vertical	Swaged

NOTE: Please consult with Uniking for requirements for trolley-halves not listed above. Uniking manufactures many variations on an order by order basis. For example: Zinc plating, chrome balls, alloy steel races, special greases, extra clearance (i.e., special features).



4" I-BEAM Trolley

X458 Chain – Vertical Hole – 7 3/16" (182.5) Drop



Part Number	Wheel Design	Shielding	Bracket Type	Attach. Holes	Wheel to Brkt. Connect.
UK 7200273	Retainer	Open	Forged 7 3/16" Drop	Vertical	Swaged
UK 7240073	Retainer	Splashproof	Forged 7 3/16" Drop	Vertical	Swaged
UK 7250073	Retainer	Splashproof & Wiper - Nitrile	Forged 7 3/16" Drop	Vertical	Swaged
UK 7270073	Retainer	Contact Lip Seal - Nitrile	Forged 7 3/16" Drop	Vertical	Swaged
UK 7500273	Full Ball Comp.	Open	Forged 7 3/16" Drop	Vertical	Swaged
UK 7510273	Full Ball Comp.	Welsh Plug Only, No Shield	Forged 7 3/16" Drop	Vertical	Swaged
UK 7520273	Full Ball Comp.	Shield Only, No Welsh Plug	Forged 7 3/16" Drop	Vertical	Swaged
UK 7540073	Full Ball Comp.	Splashproof	Forged 7 3/16" Drop	Vertical	Swaged
UK 7550073	Full Ball Comp.	Splashproof/Wiper - Nitrile	Forged 7 3/16" Drop	Vertical	Swaged
UK 7559573	Full Ball Comp.	Splashproof/Wiper Seal Viton High Temp	Forged 7 3/16" Drop	Vertical	Swaged
UK 7570073	Full Ball Comp.	Contact Lip Seal - Nitrile	Forged 7 3/16" Drop	Vertical	Swaged
UK 7579073	Full Ball Comp.	Contact Lip Seal - Viton	Forged 7 3/16" Drop	Vertical	Swaged

NOTE: Please consult with Uniking for requirements for trolley-halves not listed above. Uniking manufactures many variations on an order by order basis. For example: Zinc plating, chrome balls, alloy steel races, special greases, extra clearance (i.e., special features).



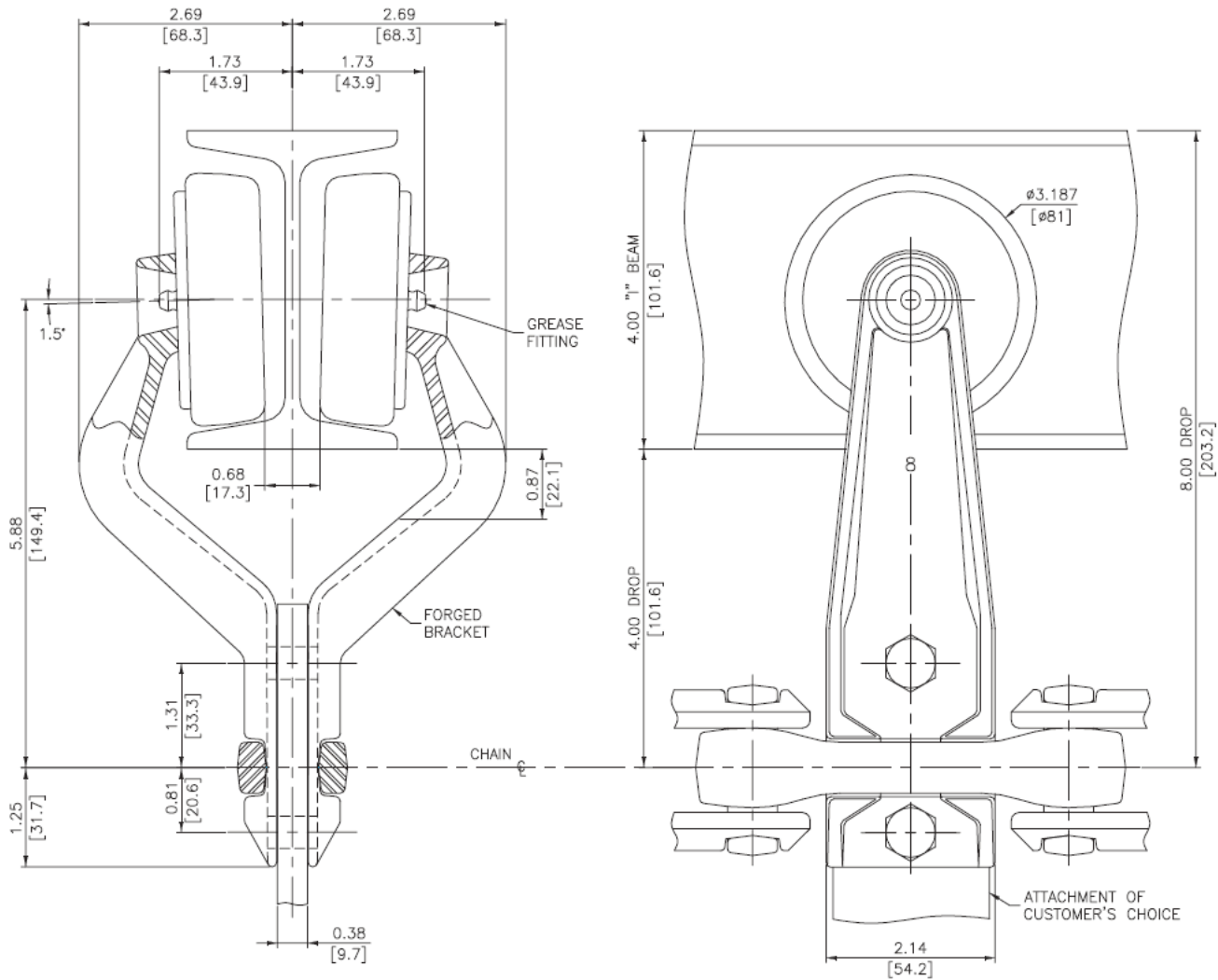
HEADQUARTERS 514.886.5270

12985 Rue Brault, Mirabel Quebec, Canada J7J 0W2

UNIKINGCANADA.COM

4" I-BEAM Trolley

X458 Chain — Vertical Hole — 8" (203.2) Drop



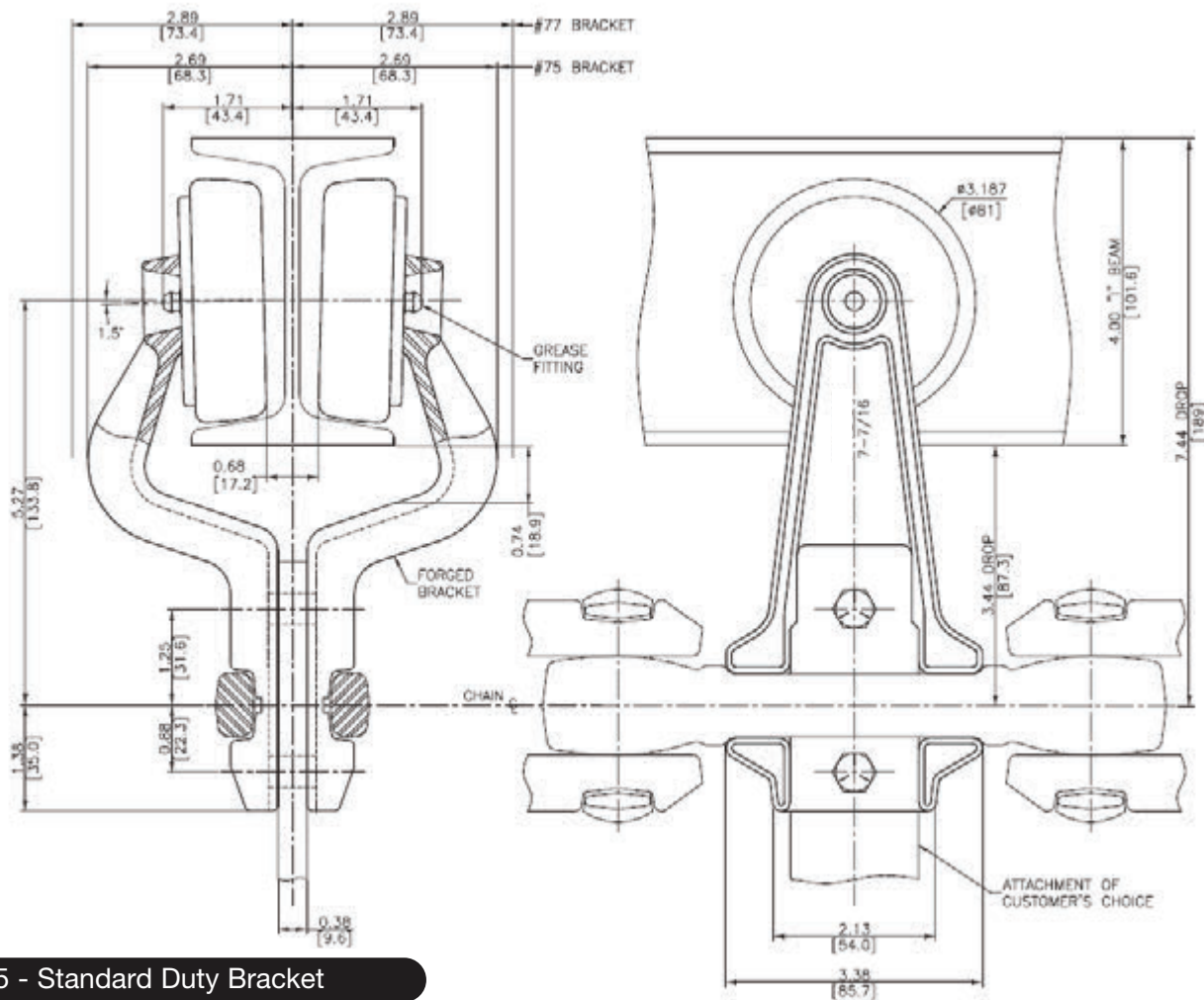
Part Number	Wheel Design	Shielding	Bracket Type	Attach. Holes	Wheel to Brkt. Connect.
UK 7200270	Retainer	Open	Forged 8" Drop	Vertical	Swaged
UK 7240070	Retainer	Splashproof®	Forged 8" Drop	Vertical	Swaged
UK 7250070	Retainer	Splashproof & Wiper - Nitrile	Forged 8" Drop	Vertical	Swaged
UK 7270070	Retainer	Contact Lip Seal - Nitrile	Forged 8" Drop	Vertical	Swaged
UK 7500270	Full Ball Comp.	Open	Forged 8" Drop	Vertical	Swaged
UK 7510270	Full Ball Comp.	Welsh Plug Only, No Shield	Forged 8" Drop	Vertical	Swaged
UK 7520270	Full Ball Comp.	Shield Only, No Welsh Plug	Forged 8" Drop	Vertical	Swaged
UK 7540070	Full Ball Comp.	Splashproof	Forged 8" Drop	Vertical	Swaged
UK 7550070	Full Ball Comp.	Splashproof/Wiper - Nitrile	Forged 8" Drop	Vertical	Swaged
UK 7559570	Full Ball Comp.	Splashproof/Wiper Seal Viton High Temp	Forged 8" Drop	Vertical	Swaged
UK 7570070	Full Ball Comp.	Contact Lip Seal - Nitrile	Forged 8" Drop	Vertical	Swaged
UK 7579070	Full Ball Comp.	Contact Lip Seal - Viton	Forged 8" Drop	Vertical	Swaged

NOTE: Please consult with Uniking for requirements for trolley-halves not listed above. Uniking manufactures many variations on an order by order basis. For example: Zinc plating, chrome balls, alloy steel races, special greases, extra clearance (i.e., special features).



4" I-BEAM Trolley

X678 Chain – Vertical Hole – 7 7/16" (188.9) Drop



#75 - Standard Duty Bracket

#77 - Heavy Duty Bracket

Part Number	Wheel Design	Shielding	Bracket Type	Attach. Holes	Wheel to Brkt. Connect.
UK 7240075 / 77	Retainer	Splashproof	Forged 7 7/16" Drop	Vertical	Swaged
UK 7200275 / 77	Retainer	Open	Forged 7 7/16" Drop	Vertical	Swaged
UK 7250075 / 77	Retainer	Splashproof & Wiper - Nitrile	Forged 7 7/16" Drop	Vertical	Swaged
UK 7270075 / 77	Retainer	Contact Lip Seal - Nitrile	Forged 7 7/16" Drop	Vertical	Swaged
UK 7500275 / 77	Full Ball Comp.	Open	Forged 7 7/16" Drop	Vertical	Swaged
UK 7510275 / 77	Full Ball Comp.	Welsh Plug Only, No Shield	Forged 7 7/16" Drop	Vertical	Swaged
UK 7520275 / 77	Full Ball Comp.	Shield Only, No Welsh Plug	Forged 7 7/16" Drop	Vertical	Swaged
UK 7540075 / 77	Full Ball Comp.	Splashproof	Forged 7 7/16" Drop	Vertical	Swaged
UK 7550075 / 77	Full Ball Comp.	Splashproof/Wiper - Nitrile	Forged 7 7/16" Drop	Vertical	Swaged
UK 7559575 / 77	Full Ball Comp.	Splashproof/Wiper Seal Viton High Temp	Forged 7 7/16" Drop	Vertical	Swaged
UK 7570075 / 77	Full Ball Comp.	Contact Lip Seal - Nitrile	Forged 7 7/16" Drop	Vertical	Swaged
UK 7579075 / 77	Full Ball Comp.	Contact Lip Seal - Viton	Forged 7 7/16" Drop	Vertical	Swaged

NOTE: Please consult with Uniking for requirements for trolley-halves not listed above. Uniking manufactures many variations on an order by order basis. For example: Zinc plating, chrome balls, alloy steel races, special greases, extra clearance (i.e., special features).



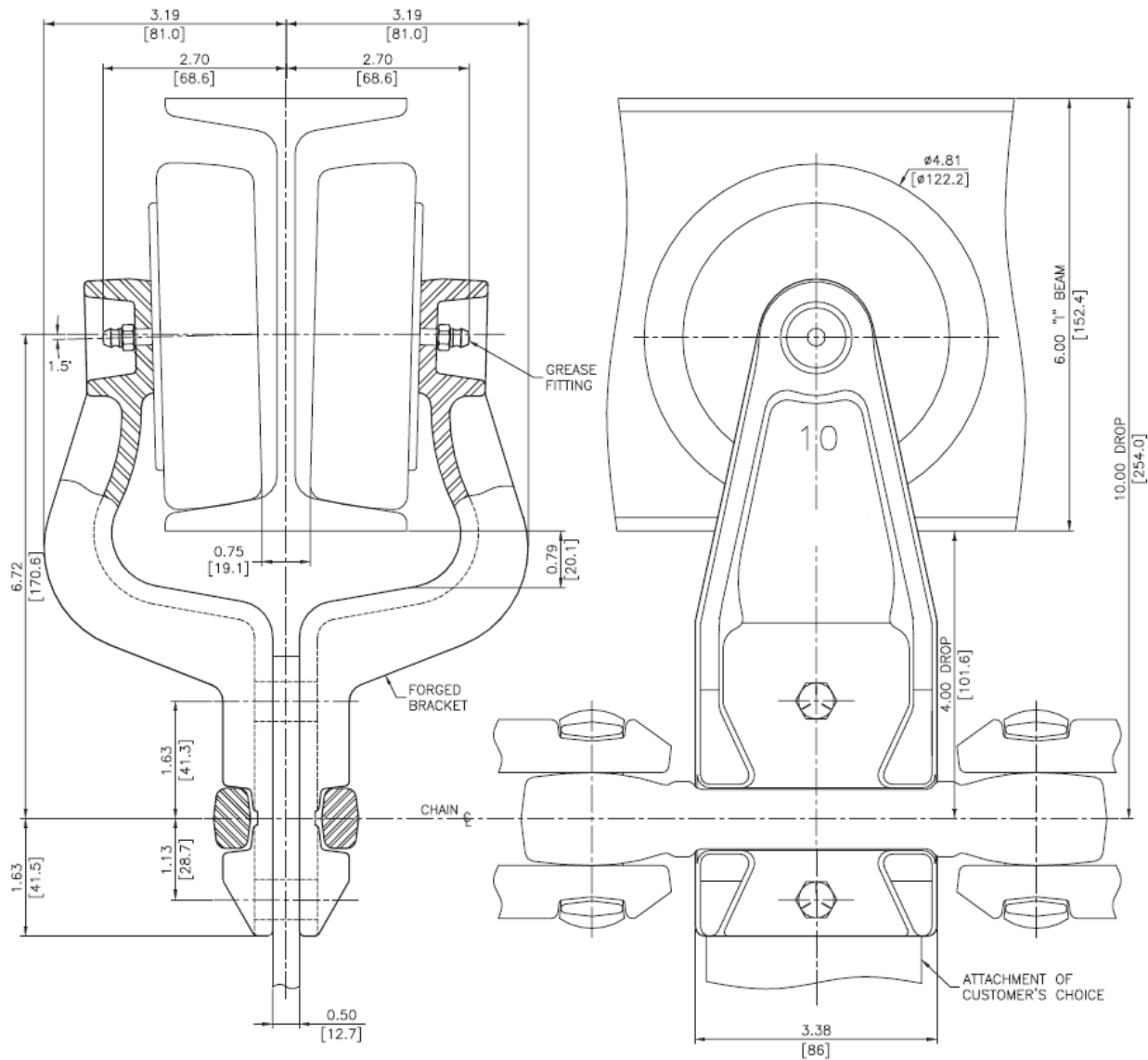
HEADQUARTERS 514.886.5270

12985 Rue Brault, Mirabel Quebec, Canada J7J 0W2

UNIKINGCANADA.COM

6" I-BEAM Trolley

X678 Chain — Vertical Hole — 10" (254.0) Drop

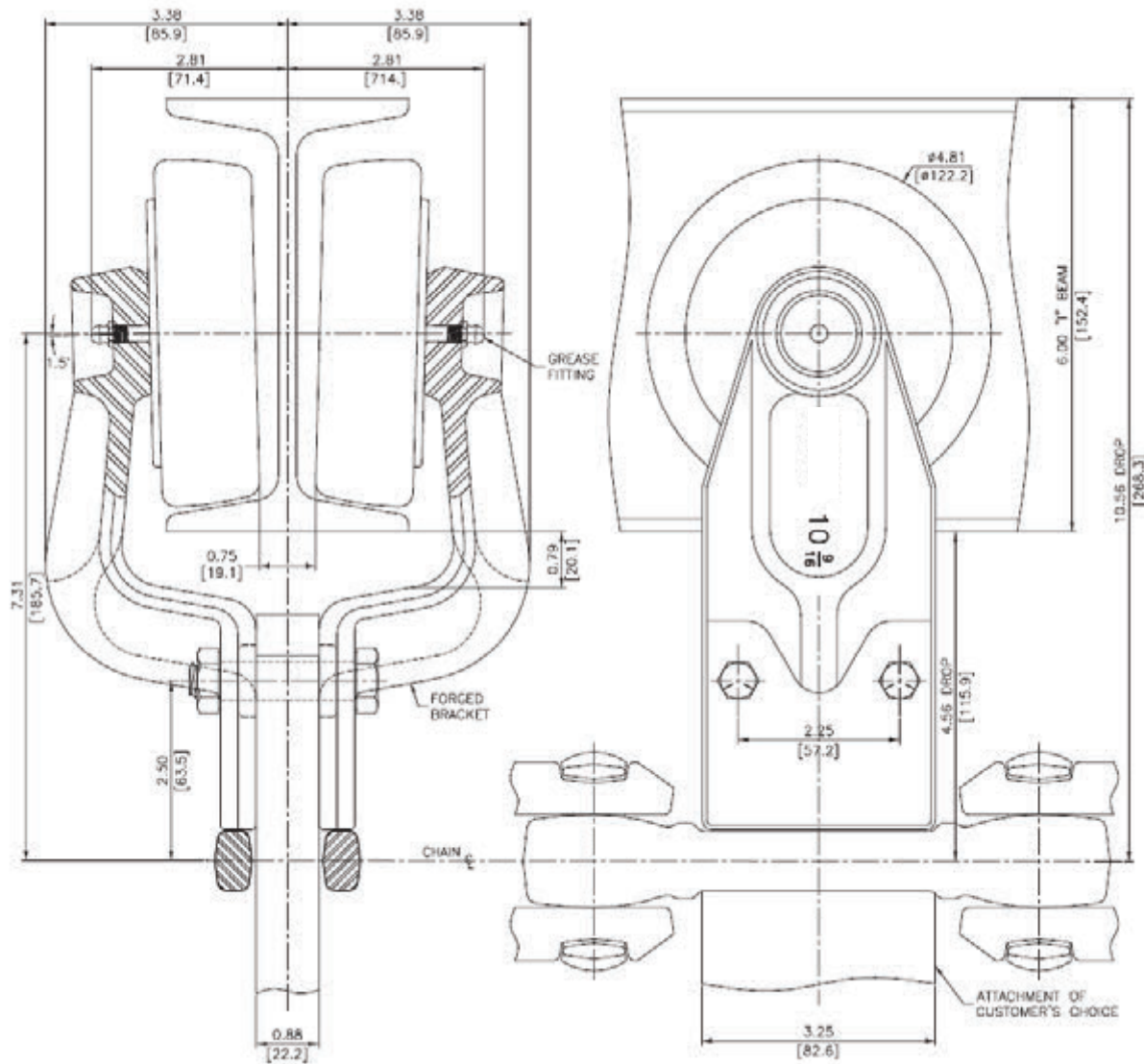


Part Number	Wheel Design	Shielding	Bracket Type	Attach. Holes	Wheel to Brkt. Connect.
UK 9010060	Retainer	Splashproof *	Forged 10" Drop	Vertical	Swaged
UK 9260060	Retainer	Splashproof & Wiper - Nitrile	Forged 10" Drop	Vertical	Swaged
UK 9261060	Retainer	Splashproof/Wiper Seal Viton High Temp	Forged 10" Drop	Vertical	Swaged
UK 6460260	Full Ball Comp.	Open	Forged 10" Drop	Vertical	Swaged
UK 9480060	Full Ball Comp.	Splashproof	Forged 10" Drop	Vertical	Swaged
UK 6470260	Full Ball Comp.	Welsh Plug Only, No Shield	Forged 10" Drop	Vertical	Swaged
UK 6474260	Full Ball Comp.	Shield Only, No Welsh Plug	Forged 10" Drop	Vertical	Swaged
UK 9270060	Full Ball Comp.	Splashproof/Wiper - Nitrile	Forged 10" Drop	Vertical	Swaged
UK 9271060	Full Ball Comp.	Splashproof/Wiper Seal Viton High Temp	Forged 10" Drop	Vertical	Swaged



6" I-BEAM Trolley

X678 Chain — Horizontal Hole — 10⁹/₁₆" (268.3) Drop



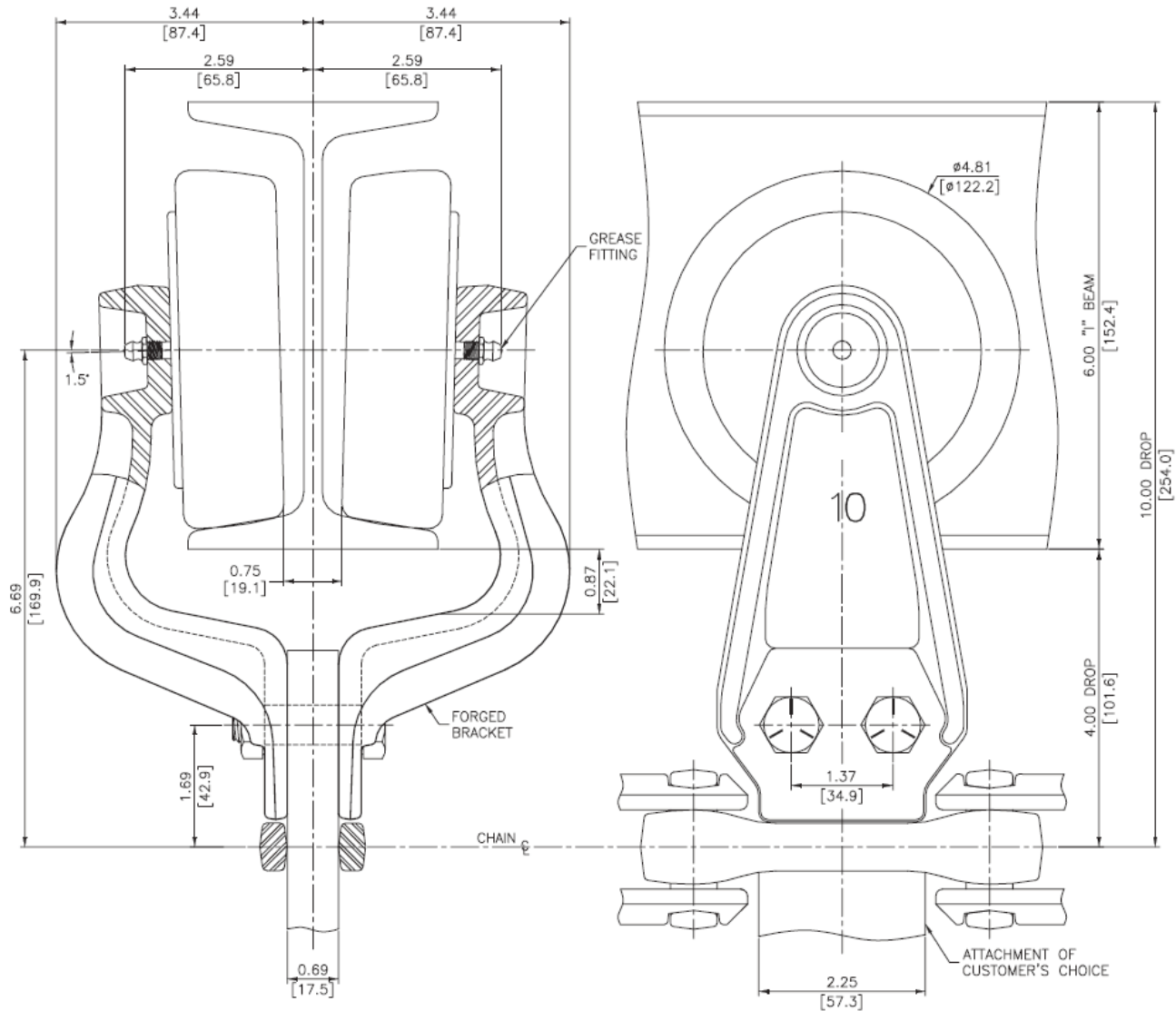
Part Number	Wheel Design	Shielding	Bracket Type	Attach. Holes	Wheel to Brkt. Connect.
UK 9010062	Retainer	Splashproof [®]	Forged 10 9/16" Drop	Horizontal	Swaged
UK 9260062	Retainer	Splashproof & Wiper - Nitrile	Forged 10 9/16" Drop	Horizontal	Swaged
UK 9261062	Retainer	Splashproof/Wiper Seal Viton High Temp	Forged 10 9/16" Drop	Horizontal	Swaged
UK 6460262	Full Ball Comp.	Open	Forged 10 9/16" Drop	Horizontal	Swaged
UK 9480062	Full Ball Comp.	Splashproof	Forged 10 9/16" Drop	Horizontal	Swaged
UK 6470262	Full Ball Comp.	Welsh Plug Only, No Shield	Forged 10 9/16" Drop	Horizontal	Swaged
UK 6474262	Full Ball Comp.	Shield Only, No Welsh Plug	Forged 10 9/16" Drop	Horizontal	Swaged
UK 9270062	Full Ball Comp.	Splashproof/Wiper - Nitrile	Forged 10 9/16" Drop	Horizontal	Swaged
UK 9271062	Full Ball Comp.	Splashproof/Wiper Seal Viton High Temp	Forged 10 9/16" Drop	Horizontal	Swaged

NOTE: Please consult with Uniking for requirements for trolley-halves not listed above. Uniking manufactures many variations on an order by order basis. For example: Zinc plating, chrome balls, alloy steel races, special greases, extra clearance (i.e., special features).



6" I-BEAM Trolley (6" over 4")

X458 (6" Over 4") Chain — Horizontal Hole — 10" (254.0) Drop



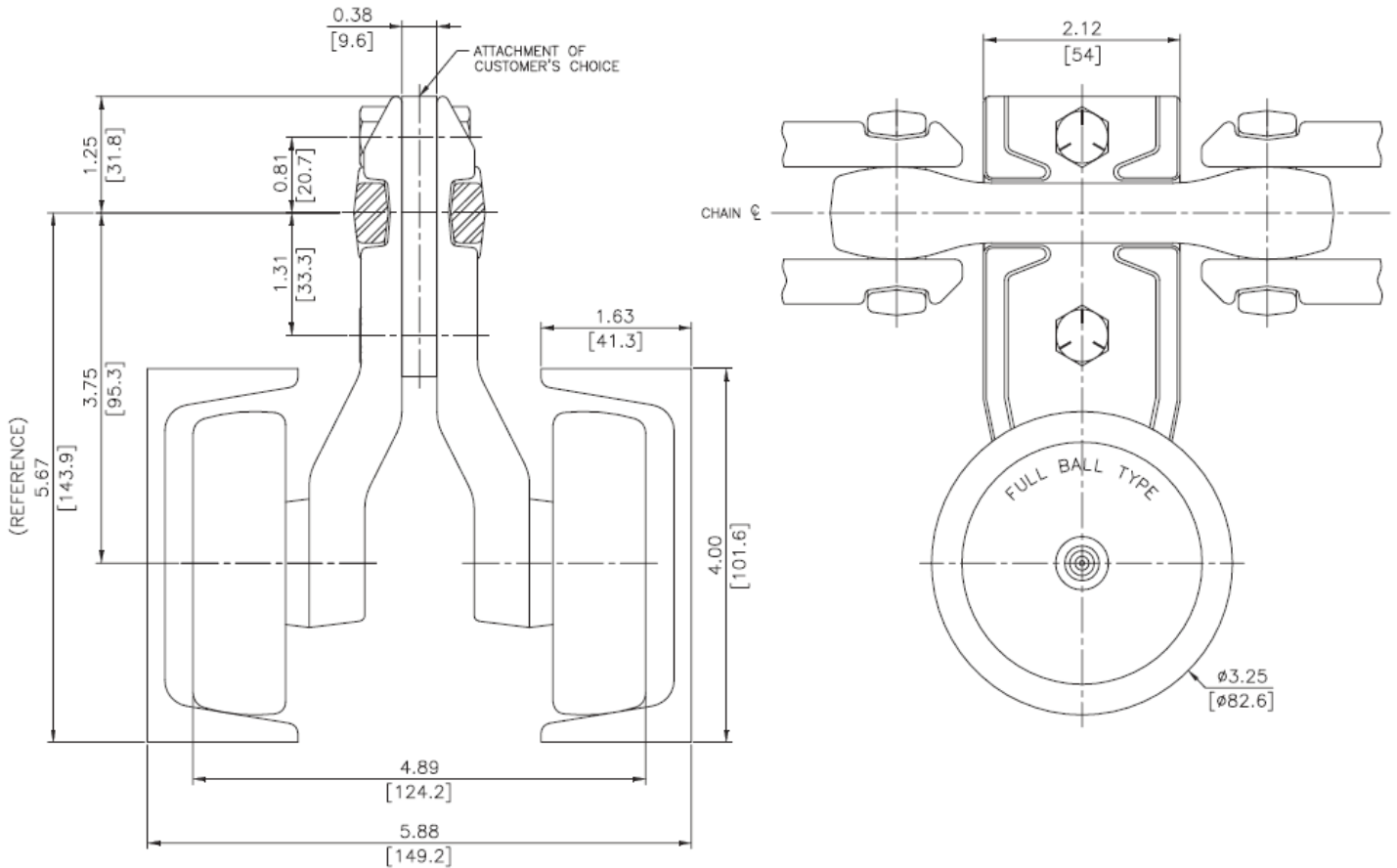
Part Number	Wheel Design	Shielding	Bracket Type	Attach. Holes	Wheel to Brkt. Connect.
UK 9010064	Retainer	Splashproof *	Forged 10" Drop	Horizontal	Swaged
UK 9260064	Retainer	Splashproof & Wiper - Nitrile	Forged 10" Drop	Horizontal	Swaged
UK 9261064	Retainer	Splashproof/Wiper Seal Viton High Temp	Forged 10" Drop	Horizontal	Swaged
UK 6460264	Full Ball Comp.	Open	Forged 10" Drop	Horizontal	Swaged
UK 9480064	Full Ball Comp.	Splashproof	Forged 10" Drop	Horizontal	Swaged
UK 6470264	Full Ball Comp.	Welsh Plug Only, No Shield	Forged 10" Drop	Horizontal	Swaged
UK 6474264	Full Ball Comp.	Shield Only, No Welsh Plug	Forged 10" Drop	Horizontal	Swaged
UK 9270064	Full Ball Comp.	Splashproof/Wiper - Nitrile	Forged 10" Drop	Horizontal	Swaged
UK 9271064	Full Ball Comp.	Splashproof/Wiper Seal Viton High Temp	Forged 10" Drop	Horizontal	Swaged

NOTE: Please consult with Uniking for requirements for trolley-halves not listed above. Uniking manufactures many variations on an order by order basis. For example: Zinc plating, chrome balls, alloy steel races, special greases, extra clearance (i.e., special features).



4" Channel Inverted Trolley

X458 Chain – Vertical Hole



Part Number	Wheel Design	Shielding	Bracket Type	Attach. Holes	Wheel to Brkt. Connect.
UK 4025344	Full Ball Comp.	Open	Forged	Vertical	Swaged
UK 4025144	Full Ball Comp.	Contact Lip Seal - Nitrile	Forged	Vertical	Swaged
UK 4025244	Full Ball Comp.	Seal & Shield - No Welsh Plug	Forged	Vertical	Swaged

NOTE: Please consult with Uniking for requirements for trolley-halves not listed above. Uniking manufactures many variations on an order by order basis. For example: Zinc plating, chrome balls, alloy steel races, special greases, extra clearance (i.e., special features).



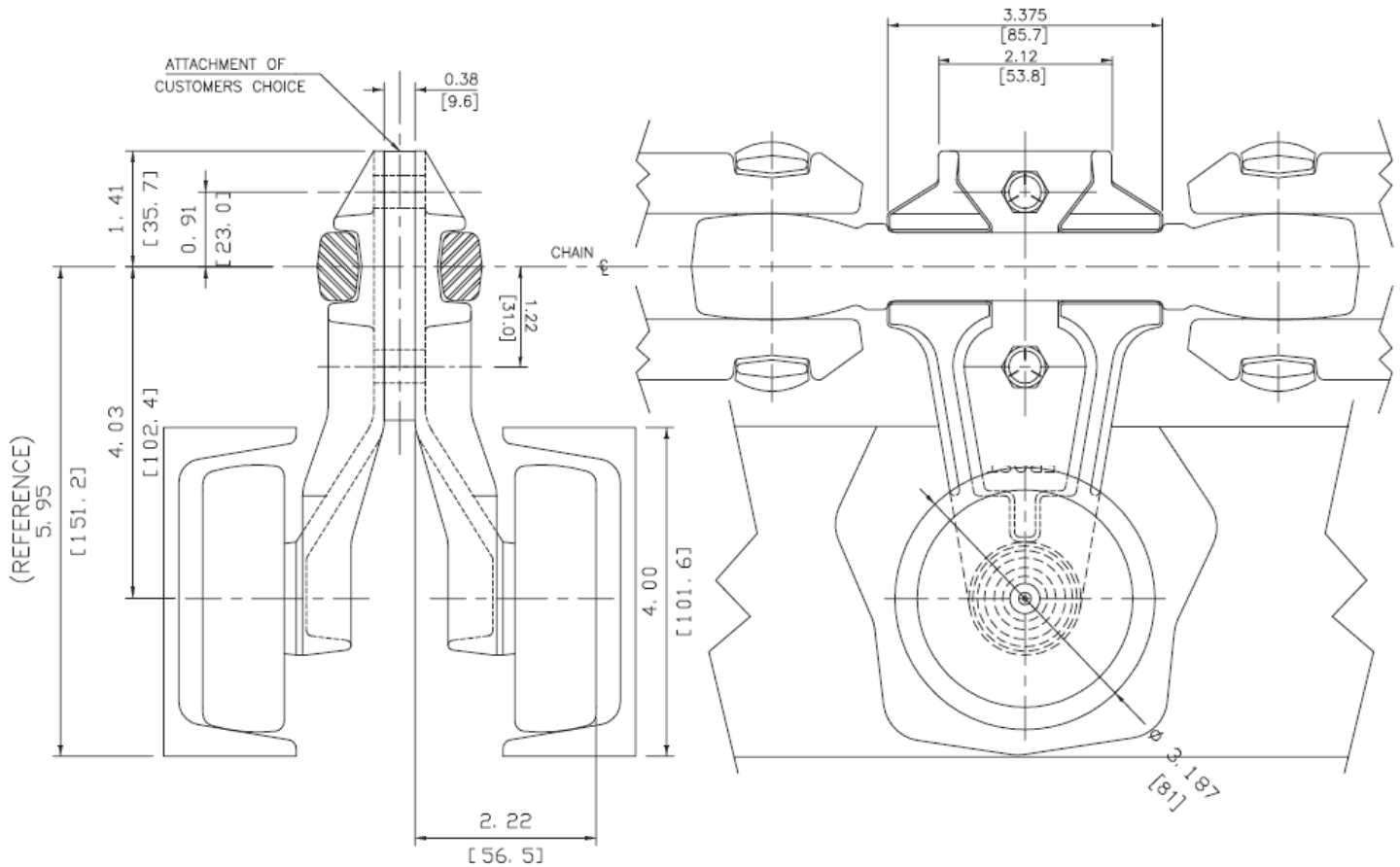
HEADQUARTERS 514.886.5270

12985 Rue Brault, Mirabel Quebec, Canada J7J 0W2

UNIKINGCANADA.COM

4" Channel Inverted Trolley

X678 Chain – Vertical Hole



Part Number	Wheel Design	Shielding	Bracket Type	Attach. Holes	Wheel to Brkt. Connect.
UK 4020242	Full Ball Comp.	Open	Forged	Vertical	Swaged
UK 4025142	Full Ball Comp.	Contact Lip Seal - Nitrile	Forged	Vertical	Swaged
UK 4021042	Full Ball Comp.	Shield Only - No Welsh Plug	Forged	Vertical	Swaged

NOTE: Please consult with Uniking for requirements for trolley-halves not listed above. Uniking manufactures many variations on an order by order basis. For example: Zinc plating, chrome balls, alloy steel races, special greases, extra clearance (i.e., special features).



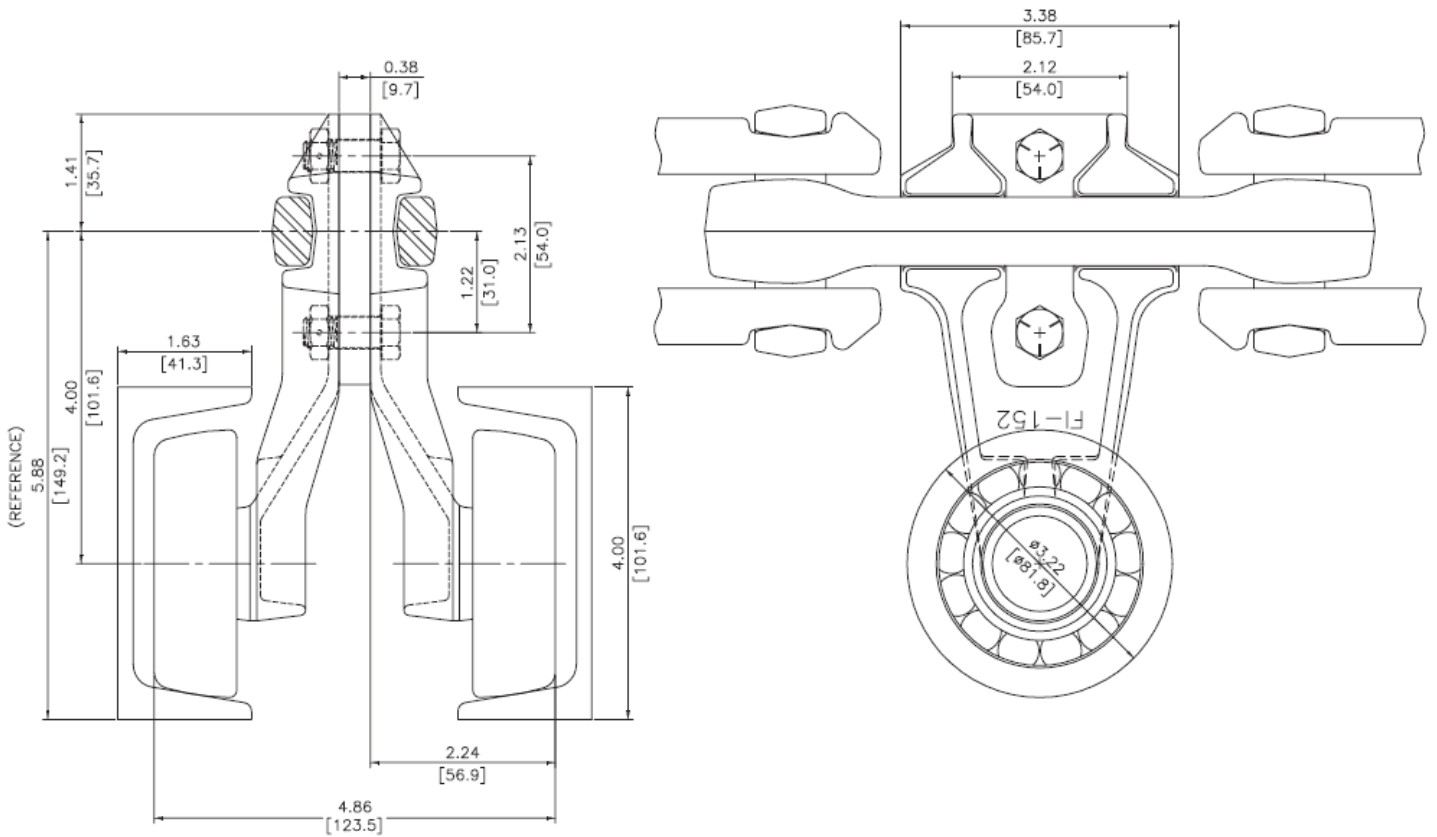
HEADQUARTERS 514.886.5270

12985 Rue Brault, Mirabel Quebec, Canada J7J 0W2

UNIKINGCANADA.COM

4" Channel Inverted Trolley

X678 Chain – Vertical Hole



Part Number	Wheel Design	Shielding	Bracket Type	Attach. Holes	Wheel to Brkt. Connect.
UK 4050252	Full Ball Comp.	Open	Forged	Vertical	Swaged

NOTE: Please consult with Uniking for requirements for trolley-halves not listed above. Uniking manufactures many variations on an order by order basis. For example: Zinc plating, chrome balls, alloy steel races, special greases, extra clearance (i.e., special features).

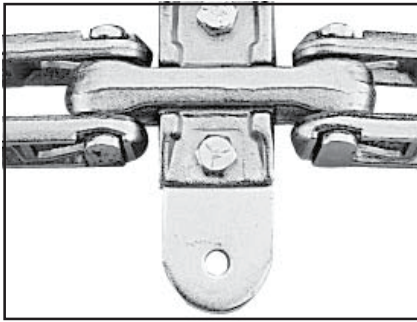


HEADQUARTERS 514.886.5270

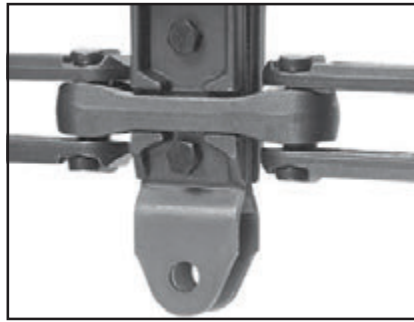
12985 Rue Brault, Mirabel Quebec, Canada J7J 0W2

UNIKINGCANADA.COM

Trolley Attachments



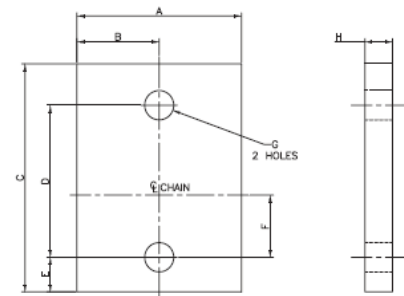
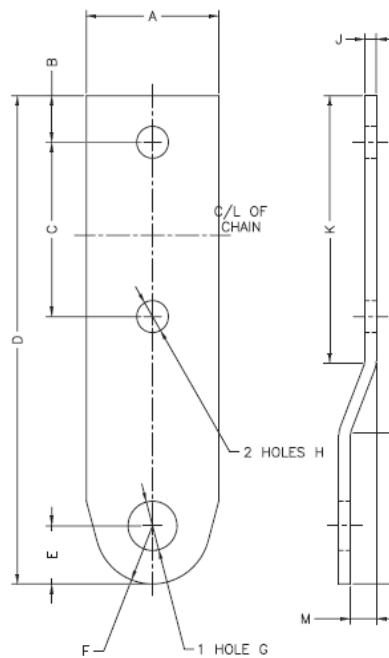
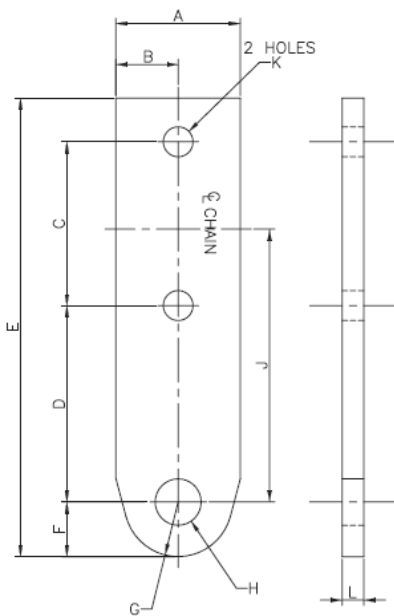
“C” Attachment



“H” Attachment



“I” Attachment



Part Number	3"	3"	4"	Part Number	3"	4"	6"	Part Number	3"	4"	6"
A	1.44	1.44	1.75	A	1.47	2.00	3.00	A	1.38	1.88	3.00
B	.72	.72	.88	B	.50	.69	.75	B	.69	.94	1.50
C	1.88	1.88	2.13	C	1.88	2.13	2.75	C	2.75	3.00	4.13
D	2.25	1.38	2.06	D	5.25	5.63	7.00	D	1.88	2.12	2.75
E	5.25	4.38	5.63	E	.63	.75	1.00	E	.44	.44	.63
F	.63	.63	.75	F	R .63	R .75	C 1.00	F	.88	.81	1.13
G	R .63	R .63	R 1.63	G	.53	.53	.81	G	.34	.41	.53
H	.53	.53	.56	H	.34	.41	.53	H	.24	.38	.50
J	3.13	2.25	2.88	J	.13	.18	.25				
K	.34	.34	.41	K	2.88	3.34	4.00				
L	.25	.25	.38	L	1.62	1.75	2.00				
				M	.28	.38	.41				

NOTE: Other attachment sizes and styles available. Please consult with Uniking for your specific requirements.



HEADQUARTERS 514.886.5270

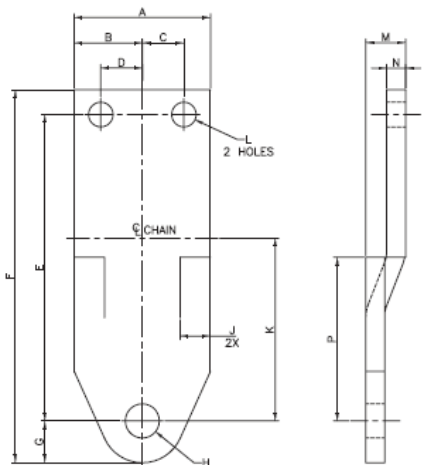
12985 Rue Brault, Mirabel Quebec, Canada J7J 0W2

UNIKINGCANADA.COM

Trolley Attachments

Horizontal Hole

“H” Attachment



4”

Part Number	A	B	C	D	E	F	G	H	J	K	L	M	N	P
UK 0600038	2.25	1.13	.68	.68	5.03	6.13	.69	.56	.50	3.00	.41	.66	.31	2.69

6” (for “64” Bracket)

Part Number	A	B	C	D	E	F	G	H	J	K	L	M	N	P
UK 0600065	2.25	1.13	.68	.68	4.57	6.13	.81	.81	.50	2.88	.53	.66	.31	2.56

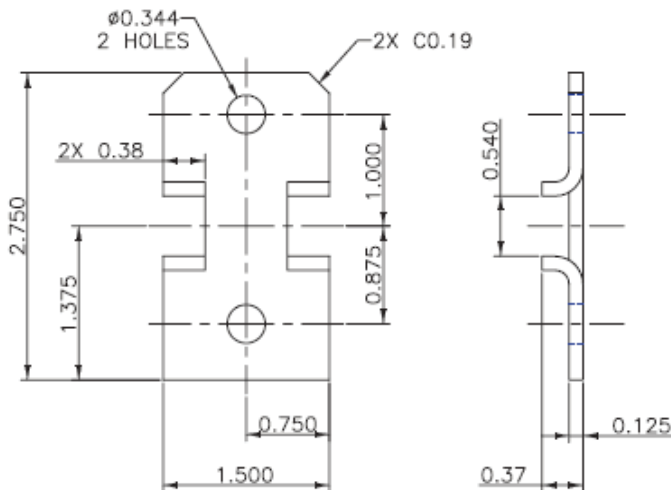
Vertical Hole

“B” Attachment
with Nut & Cotter Pin



Part Number	3”	4”	6”
	0600236	0600246	0600263

“F” Attachment
Chain Clip



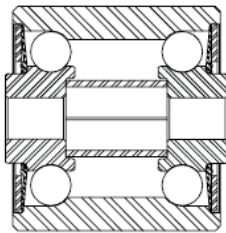
Part Number	3”
	0600137

NOTE: Other attachment sizes and styles available. Please consult with Uniking for your specific requirements.



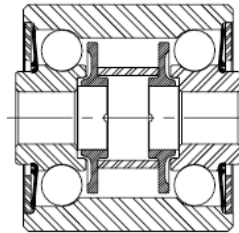
Roller Turn Rollers

Chain Rollers for All Types of Applications



Style 1

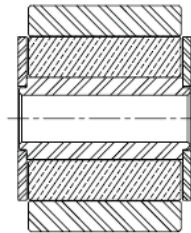
Low cost, standard roller with fully contoured inner raceways. Nitrile contact seal (300°F capable) is also purgeable, so unit can be used as sealed-for-life or for relube applications.



Style 2

Same basic construction of Style 1, with added features of patented* grease retaining rings and grease injection system (assures uniform lube distribution to both upper and lower raceways).

* Patent No. 4,408,808



Style 3

Our journal type bearing is specially designed for high heat applications and over operations. Heat capacity up to 800°F/427°C continuous operation.

Standard 3, 4 and 6 Inch Roller Dimensions

Style 1 Part Number	Style 2 Part Number	Outer Diameter	Bore Diameter	Outer Race Length	Overall Length	Extension	Extension Diameter	Load (lbs) Rating	Bearing Style
UK 0300100	0430000	2.75 (69.9)	.50 (12.7)	1.69 (42.9)	1.87 (47.5)	.09 (2.3)	1.14 (29.0)	2,400	Standard Full Ball
UK 0304800		2.75 (69.9)	.63 (16.0)	1.94 (49.3)	2.13 (54.1)	.09 (2.3)	1.14 (29.0)	2,400	Standard Full Ball
UK 0305100	0431000	2.75 (69.9)	.50 (12.7)	1.94 (49.3)	2.13 (54.1)	.09 (2.3)	1.14 (29.0)	2,400	Standard Full Ball
UK 0305700	0432000	2.75 (69.9)	.56 (14.2)	1.94 (49.3)	2.13 (54.1)	.09 (2.3)	1.14 (29.0)	2,400	Standard Full Ball
UK 0405100	0441000	2.75 (69.9)	.50 (12.7)	2.56 (65.0)	2.75 (69.9)	.09 (2.3)	1.14 (29.0)	2,400	Standard Full Ball
UK 0405700	0442000	2.75 (69.9)	.56 (14.2)	2.56 (65.0)	2.75 (69.9)	.09 (2.3)	1.14 (29.0)	2,400	Standard Full Ball
UK 0407200	0443000	2.75 (69.9)	.63 (16.0)	2.56 (65.0)	2.75 (69.9)	.09 (2.3)	1.14 (29.0)	2,400	Standard Full Ball
UK 0414600	0463100	3.00 (76.2)	.63 (16.0)	2.56 (65.0)	2.75 (69.9)	.09 (2.3)	1.14 (29.0)	2,400	Standard Full Ball
UK 0407000		2.75 (69.9)	.75 (19.1)	2.56 (65.0)	2.75 (69.9)	.09 (2.3)	1.14 (29.0)	2,400	Standard Full Ball

Note: Heat capacity to 250oF (121oC) intermittent with Frost standard grease for Styles 1 and 2.

Special Heavy-Duty Rollers

Part Number	Outer Diameter	Bore Diameter	Outer Race Length	Overall Length	Extension	Extension Diameter	Load (lbs) Rating	Bearing Style
UK 0404620	3.00 (76.2)	.50 (12.7)	2.63 (66.8)	2.75 (69.9)	.06 (1.5)	1.25 (31.8)	3,200	5/8" Diameter Ball
** UK 0404600	3.00 (76.2)	.63 (16.0)	2.63 (66.8)	2.75 (69.9)	.06 (1.5)	1.25 (31.8)	3,200	5/8" Diameter Ball
UK 0404650	3.00 (76.2)	.75 (19.1)	2.63 (66.8)	2.75 (69.9)	.06 (1.5)	1.25 (31.8)	3,200	5/8" Diameter Ball
UK 0404660	3.00 (76.2)	.69 (17.5)	2.63 (66.8)	2.75 (69.9)	.06 (1.5)	1.25 (31.8)	3,200	5/8" Diameter Ball
UK 0404900	3.00 (76.2)	.63 (16.0)	2.63 (66.8)	2.75 (69.9)	.06 (1.5)	1.25 (31.8)	3,200	5/8" Diameter Ball "FTT" Seal

** UK 0463100 is alternate.

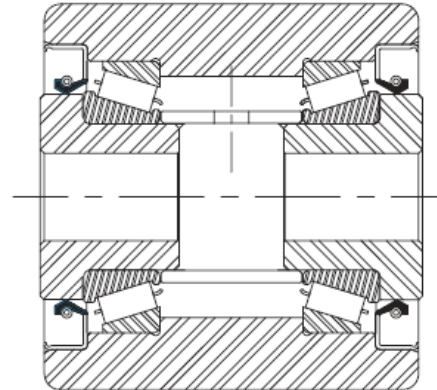
Style 3 High Temperature Rollers

Part Number	Outer Diameter	Bore Diameter	Outer Race Length	Overall Length	Extension	Extension Diameter	Load (lbs) Rating	Bearing Style
UK 0412000	2.75 (69.9)	.57 (14.5)	1.88 (47.8)	2.13 (54.1)	.25 (6.4)	1.00 (25.4)	2,200	High-Temp. Journal
UK 0412500	2.75 (69.9)	.51 (13.0)	1.88 (47.8)	2.13 (54.1)	.13 (3.3)	1.00 (25.4)	2,200	High-Temp. Journal
UK 0413000	2.75 (69.9)	.57 (14.5)	2.50 (63.5)	2.75 (69.9)	.13 (3.3)	1.00 (25.4)	2,200	High-Temp. Journal
UK 0413500	2.75 (69.9)	.51 (13.0)	2.50 (63.5)	2.75 (69.9)	.13 (3.3)	1.00 (25.4)	2,200	High-Temp. Journal
UK 0413520	2.75 (69.9)	.63 (16.0)	2.50 (63.5)	2.75 (69.9)	.13 (3.3)	1.00 (25.4)	2,200	High-Temp. Journal

Consult Uniking for additional bore size, seal/shield and relube information. Load ratings are based on 5,000 hours B-10 life at 33 1/3 RPM. This load is based on conditions of moderate shock, proper lubrication, maintenance, and normal temperature conditions (250oF (121oC) and less).



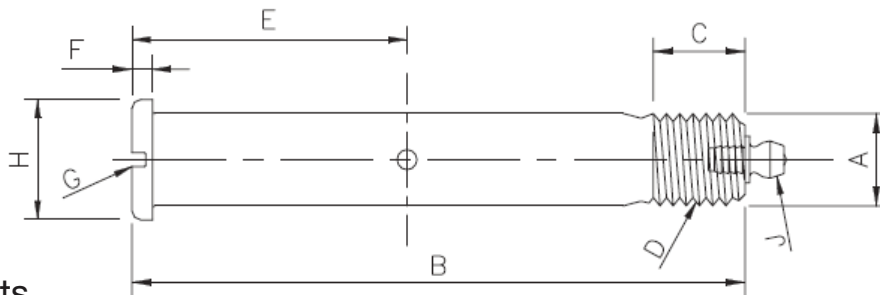
HEAVY-DUTY ROLLER TURN ROLLERS & BOLTS



Heavy-Duty Roller Turn Rollers

Precision type, tapered roller bearings are designed to withstand heavy loads, shock and thrust. Maximum load carrying capacity of all roller designs is 5,000 lbs. @ 33 1/3RPM for 5,000 B-10 hours. Heat capacity to 250oF (121oC).

Part Number	Outer Diameter	Bore Diameter	Outer Race Length	Overall Length	Hub Extension	Extension Diameter	Load (lbs) Rating	Bearing Style
UK 0404000	2.81 (71.4)	.63 (16.0)	2.75 (69.9)	2.81 (71.4)	.03 (0.8)	1.50 (38.1)	Consult Factory	Heavy-Duty
UK 0404010	2.81 (71.4)	.51 (12.9)	2.72 (69.1)	2.82 (71.6)	.05 (1.3)	1.50 (38.1)	Consult Factory	Heavy-Duty
UK 0404020	2.81 (71.4)	.58 (14.7)	2.72 (69.1)	2.82 (71.6)	.05 (1.3)	1.50 (38.1)	Consult Factory	Heavy-Duty
UK 0404050	2.81 (71.4)	.75 (19.1)	2.75 (69.9)	2.81 (71.4)	.03 (0.8)	1.50 (38.1)	Consult Factory	Heavy-Duty
UK 0404100	3.00 (76.2)	.63 (16.0)	2.72 (69.1)	2.82 (71.6)	.05 (1.3)	1.50 (38.1)	Consult Factory	Heavy-Duty
UK 0404200	2.81 (71.4)	.63 (16.0)	2.69 (68.3)	2.75 (69.9)	.03 (0.8)	1.50 (38.1)	Consult Factory	Heavy-Duty



Roller Turn Bolts

3-Inch Roller Bolt

Standard Bolt Number	A	B	C	D	E	F	G	H	J
UK 0300708	.500	3.500	.625	1/2-13NC	1.540	.140	3/32 x 3/32	.687	3038-B

4 & 6 Inch Roller Bolt

Standard Bolt Number	A	B	C	D	E	F	G	H	J
UK 0400308	.500	4.156	.625	1/2-13NC	1.875	.140	3/32 x 3/32	.690	3038-B
UK 0401261	.562	4.125	.625	9/16-12NC	1.815	.125	NA	.812 Hex	3038-B
UK 0425505	.625	4.250	.625	5/8-11NC	1.875	.160	3/32 x 3/32	.860	3038-B
* UK 0425310	.625	6.422	1.000	5/8-11NC	NA	.422	NA	.938 Hex	NA

* Non-relubable type bolt.

Consult Uniking for different grease fitting configurations.

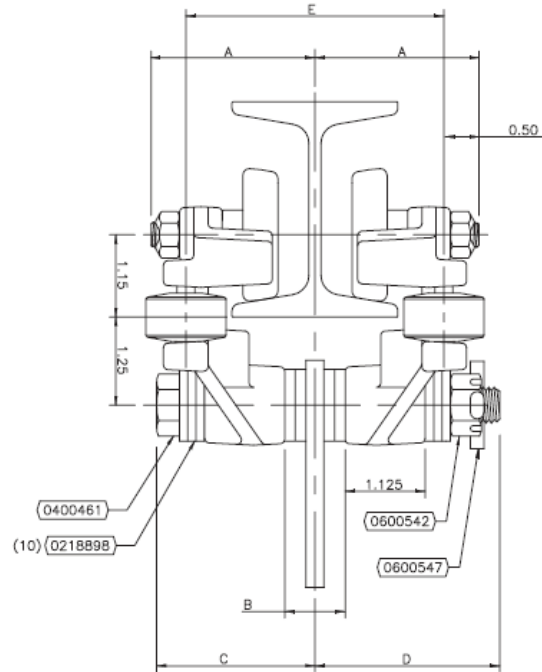
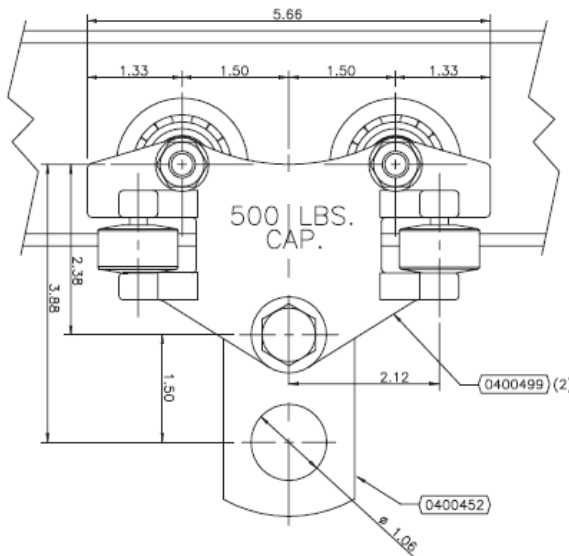
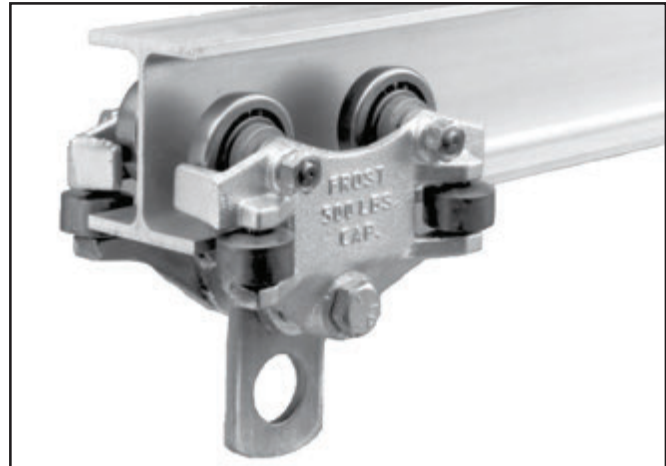


Hand Pushed Trolleys (1/4 ton)

Hand pushed trolleys for overhead monorail cranes and hoists

- ✓ Adaptable to different sized I-Beam.
- ✓ Extended end flange for added safety.
- ✓ Rugged body construction.
- ✓ Bolted style wheel for fast, easy replacement.
- ✓ Precision wheels designed for low friction with deep ball races for thrust capability.
- ✓ For use in straight or curved monorail systems.
- ✓ Superior quality, competitively priced.

Part No. UK 0400400



Part Number	Quantity	Description
UK 0218898	10	1/2" Flat Washer
UK 0400452	1	Load Link
UK 0400461	1	1/2-13 x 4-1/2" Bolt
UK 0400499	2	Half-Trolley Subassembly
UK 0600542	1	1-2-13 Slotted Hex Nut
UK 0600547	1	5/32" Cotter Pin

Assembly Guidelines
 Assemble 1/2" washers (0218898) on bolt (0400461) to proper I-Beam Track Setting
 2 inside and 8 outside for S2-5/8 x 3.6 lb./ft.
 4 inside and 6 outside for S3 x 5.7 lb./ft.
 6 inside and 4 outside for S4 x 7.7 lb./ft.

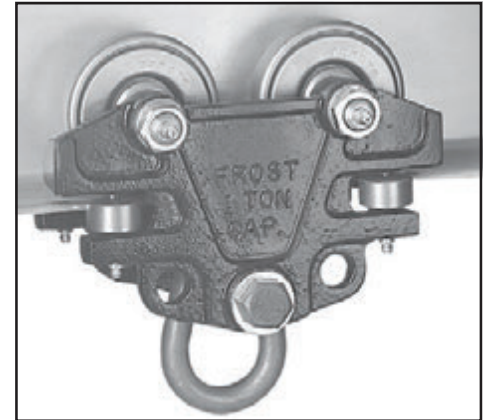
Track Size	A	B	C	D	E
2 5/8	2.13	0.50	2.23	2.60	3.28
3	2.30	0.85	2.23	2.60	3.63
4	2.43	1.10	2.23	2.60	2.88



Hand Pushed Trolleys (1/2 ton, 3/4 ton, 1 ton)

Hand pushed trolleys
for overhead monorail cranes and hoists

- ✓ Adaptable to different sized I-Beam.
- ✓ Extended end flange for added safety.
- ✓ Rugged body construction.
- ✓ Bolted style wheel for fast, easy replacement.
- ✓ Precision wheels designed for low friction with deep ball races for thrust capability.
- ✓ Utilizes Splashproof® Seals for contaminated environments.
- ✓ Relube provision for wheels and side guide rollers.
- ✓ For use in straight or curved monorail systems (2'0" min. radius).
- ✓ Superior quality, competitively priced.



Assembly Guidelines

Assemble 5/8" washers (060016) on bolt (0600461) to proper I-Beam Track Setting

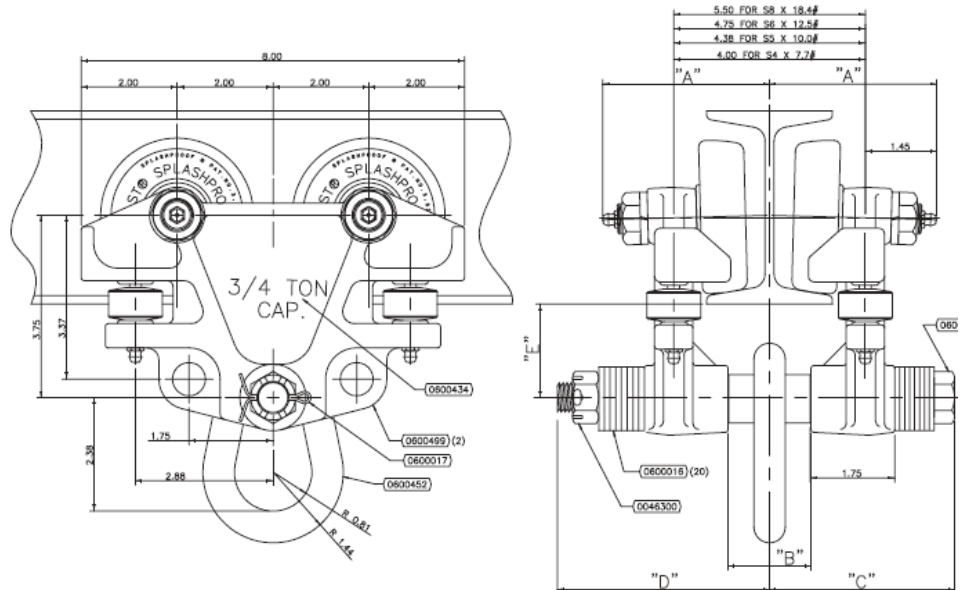
- 0 inside and 16 outside for S4 x 7.7 lb./ft.
- 4 inside and 12 outside for S5 x 10.0 lb./ft.
- 8 inside and 8 outside for S6 x 12.5 lb./ft.
- 16 inside and 0 outside for S8 x 18.4 lb./ft.

Part Number Description & Capacity

UK 0605400	1/2 Ton
UK 0600400	3/4 Ton
UK 0601400	1 Ton

Specify Hand Pushed Trolleys for a variety of suspension uses:

- ✓ Welding apparatus
- ✓ Powered tools
- ✓ General hoist applications
- ✓ Metalworking
- ✓ Automotive
- ✓ Foundry
- ✓ Manufacturing



Hand pushed trolleys - adaptable to different sized I-Beams, in load ratings up to 1 ton

Dimension Table

Rail Size	A	B	C	D	E
4"	3-29/64	1-45/64	3-3/4	4-41/64	1-29/32
5"	3-41/64	2-5/64	3-3/4	4-41/64	1-57/64
6"	3-53/64	2-15/32	3-3/4	4-41/64	1-7/8
8"	4-7/32	3-7/32	3-3/4	4-41/64	1-27/32

Hand Pushed Trolley Assembly for 1/2, 3/4, and 1 Ton Capacities

Part Number	Quantity	Description
UK 0600016	16	5/8" Diameter S.A.E Flat Washers
UK 0600017	1	5/32" Diameter x 1-1/2" Long Cotter Pin
UK 0046300	1	5/8" Diameter Slotted Hex Nut
UK 0600452	1	Load Link
UK 0600461	1	Trolley Bracket Bolt

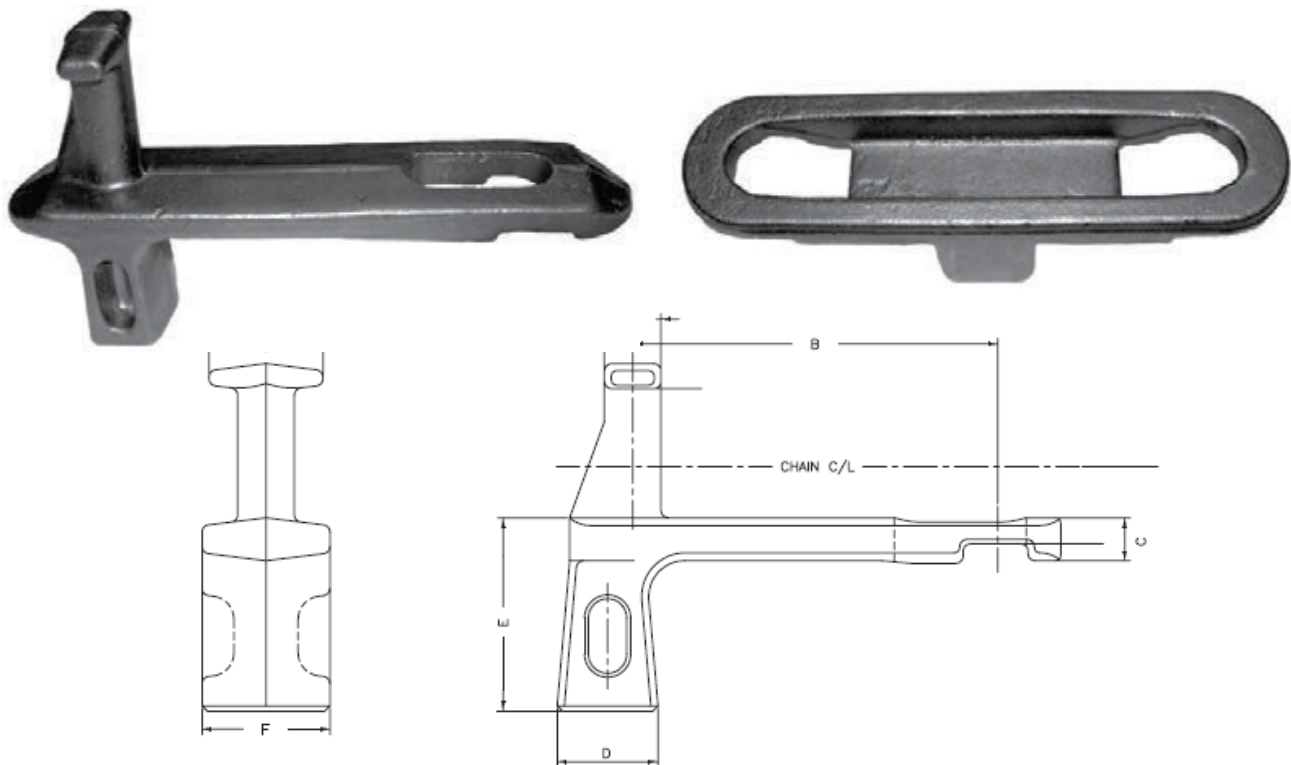
Chain attachments

Single Extended Shoulder Pin

- ✓ Used to bolt special attachments to X-type conveyor chain
- ✓ See Uniking for specific sizes and styles

Pusher Dogs

- ✓ Chain attachments used to transfer power from power chain to the free line
- ✓ See Uniking for specific sizes and styles

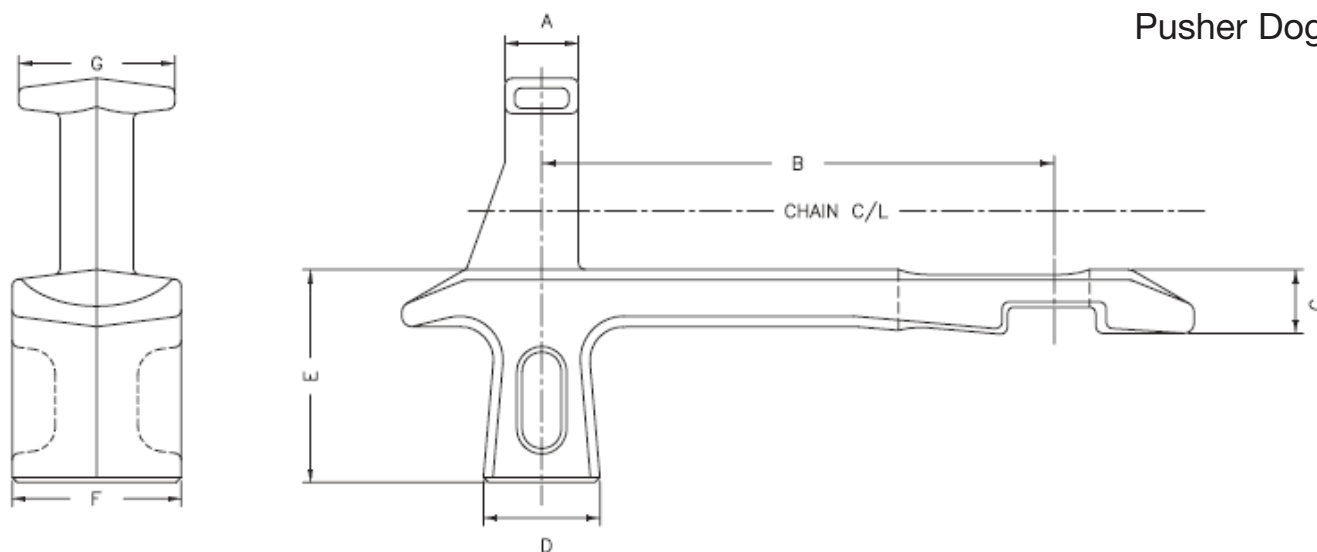


Dimensional Characteristics

Part Number	Chain Size	Material	A	B	C	D	E	F	G
UK 0348430	X-348	4140	0.484" (12.3 mm)	3.026" (76.9 mm)	0.394" (10.0 mm)	0.905" (23.0 mm)	2.48" (63.0 mm)	1.063" (27.0 mm)	1.00" (25.4 mm)
UK 0545832	X-458	4140	0.626" (15.9 mm)	4.039" (102.6 mm)	0.472" (12.0 mm)	1.16" (29.5 mm)	2.125" (54.0 mm)	1.417" (36.0 mm)	1.26" (32.0 mm)
UK 0645832	X-458	8642	0.626" (15.9 mm)	4.039" (102.6 mm)	0.472" (12.0 mm)	1.16" (29.5 mm)	2.125" (54.0 mm)	1.417" (36.0 mm)	1.26" (32.0 mm)

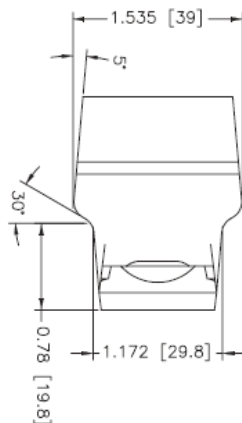
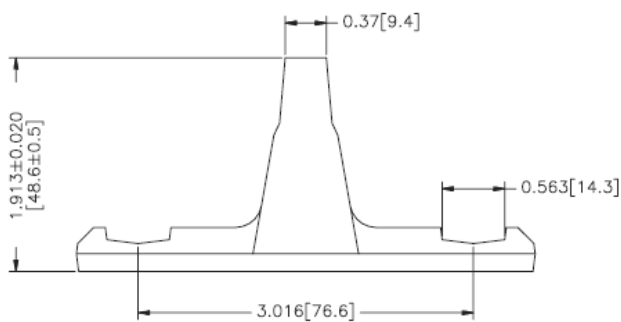
Hand Pushed Trolleys (1/2 ton, 3/4 ton, 1 ton)

Pusher Dogs

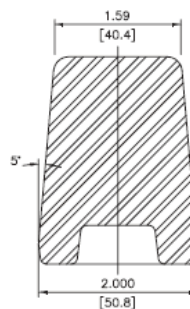
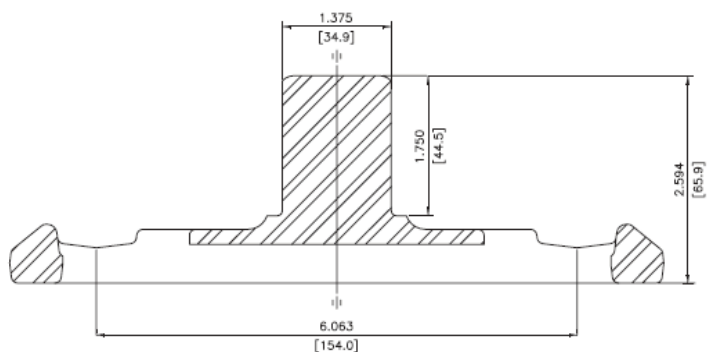


Dimensional Characteristics

Part Number	Chain Size	Material	A	B	C	D	E	F	G
UK 0567830	X-678	4140	0.866" (22.0 mm)	6.063" (154.0 mm)	0.748" (19.0 mm)	1.378" (35.0 mm)	2.50" (63.5 mm)	2.00" (50.8 mm)	1.85" (47.0 mm)



0534830 X-348 Chain Side Link Pusher with Center Dog, Wide Wing

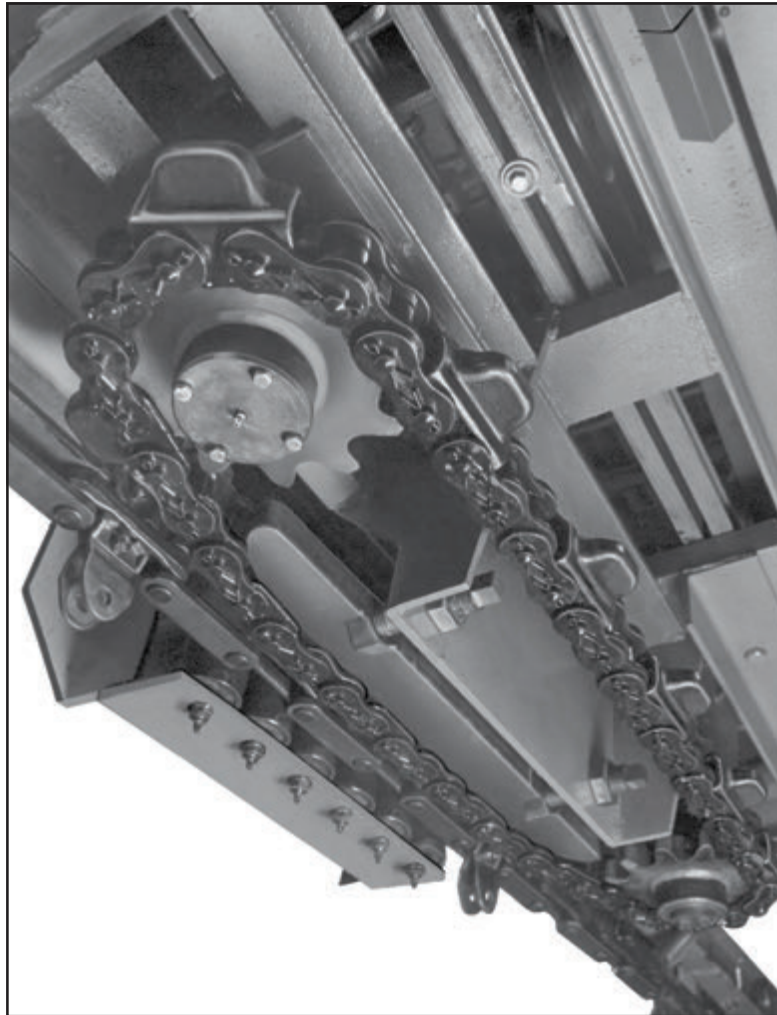


0678230 X-678 Chain Side Link Pusher with Center Dog

Specialty Chains

Caterpillar Drive Chain

Caterpillar Drive Chains are vital in driving overhead, drop-forged chain/trolley conveyors. They must deliver fatigue-free operation.



Superior Design

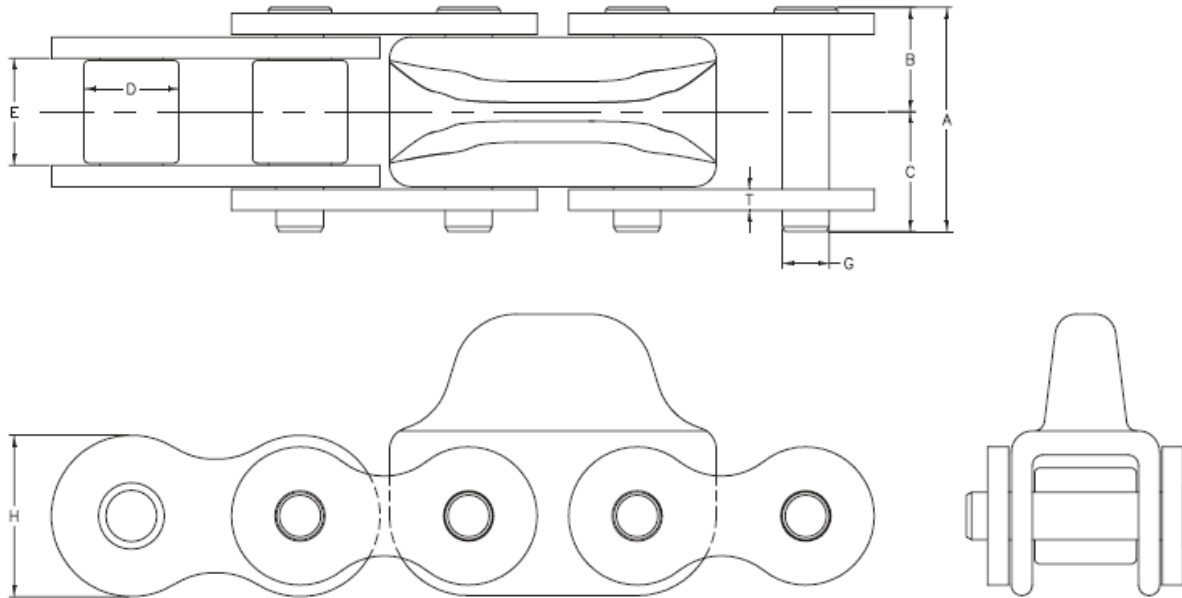
- ✓ High-quality RC-160 roller chain
- ✓ One-piece forged, induction hardened steel drive dogs
- ✓ Operates flawlessly in combinations with Smooth Link X-chain
- ✓ Proper engagement ensured by:
 - Back-up bar
 - Guide rollers

NOTE: Special lengths and configurations available. Please consult with Uniking for your specific requirements.



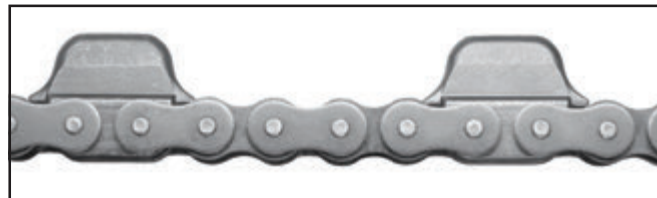
Specialty Chains

Caterpillar Drive Chain



Dimensional Characteristics

Part Number	Chain Size	Pitch	Chain Width				Diameter		Sidebars	
			Overall A	Pin Head to CL B	Pin End to CL C	Inside Width E	Roller D	Pin G	Thickness T	Height H
UK 0553485	X-348	2.00" (50.8 mm)	2.64" (67.1 mm)	1.23" (31.2 mm)	1.41" (35.8 mm)	1.25" (31.8 mm)	1.13" (28.7 mm)	0.56" (14.2 mm)	0.25" (6.4 mm)	1.90" (48.3 mm)
UK 0554585	X-458	2.00" (50.8 mm)	2.64" (67.1 mm)	1.23" (31.2 mm)	1.41" (35.8 mm)	1.25" (31.8 mm)	1.13" (28.7 mm)	0.56" (14.2 mm)	0.25" (6.4 mm)	1.90" (48.3 mm)
UK 0556785	X-678	2.00" (50.8 mm)	2.64" (67.1 mm)	1.23" (31.2 mm)	1.41" (35.8 mm)	1.25" (31.8 mm)	1.13" (28.7 mm)	0.56" (14.2 mm)	0.25" (6.4 mm)	1.90" (48.3 mm)



Part Number	Chain Size	Number of Dogs	Centers	Length	Avg. Ult. Strength
UK 0553485	X-348	10	12" (304.8 mm)	10' - 0" (3.05 m)	58,000 lbs (127,868 kg)
UK 0554585	X-458	15	8" (203.2 mm)	10' - 0" (3.05 m)	58,000 lbs (127,868 kg)
UK 0556785	X-678	10	12" (304.8 mm)	10' - 0" (3.05 m)	58,000 lbs (127,868 kg)